

# SUPPLEMENT TO THE NEW ZEALAND GAZETTE

OF  
THURSDAY, OCTOBER 13, 1904.

Published by Authority.

WELLINGTON, THURSDAY, OCTOBER 13, 1904.

## CONTENTS.

Official Notices .. .. .	Page 2389
Patent Agent registered .. .. .	2390
Complete Specifications accepted .. .. .	2390
Provisional Specifications accepted .. .. .	2393
Letters Patent sealed .. .. .	2394
Letters Patent on which Fees have been paid .. .. .	2394
Requests to amend Specifications allowed .. .. .	2395
Applications for Letters Patent abandoned .. .. .	2395
Applications for Letters Patent void .. .. .	2395
Applications for Letters Patent lapsed .. .. .	2395
Letters Patent void .. .. .	2395
Designs registered .. .. .	2395
Applications for Registration of Trade Marks .. .. .	2395
Trade Marks registered .. .. .	2401
Trade Mark Renewal Fees paid .. .. .	2401
Subsequent Proprietors of Trade Marks registered .. .. .	2401
Illustrations of Inventions follow.	
Quarterly List of Inventors* .. .. .	2402
Quarterly List of Inventions* .. .. .	2412
Quarterly List of Trade Marks Applicants* .. .. .	2425
Quarterly List of Designs Applicants* .. .. .	2427

\* Alphabetical lists for the preceding quarter of the year 1904 appear in *Gazette* No. 31, of the 14th April, 1904, and 62, of the 21st July, 1904.

### Official Notices.

#### LIBRARY.

THE library attached to the Patent Office is open free to the public during office hours. It contains, amongst others, the following publications:—

#### United Kingdom.

- Specifications and drawings of inventions.\*
- Classified abridgment of inventions to 1900.
- Illustrated Official Journal to August, 1904.
- Trade Marks Journal to May, 1904.

#### Canada.

Patent Office Record (containing illustrated abridgments of inventions) to March, 1904.†

\* These are sent out at short intervals, and are usually on the shelves of the office from three to six months after publication.

† These may be seen also at the public libraries, Auckland and Christchurch.

#### Australian Commonwealth.

The Official *Gazette*, containing lists of applications for letters patent, &c.  
The *Gazettes* of the various States, containing lists of trade marks applied for, &c.

#### United States.

The Official *Gazette* (containing illustrated abridgments of inventions, &c.) to August, 1904.\*

#### OFFICIAL PUBLICATIONS.

The following publications may be obtained from the Government Printer, Wellington:—  
Printed specifications to the end of the year 1879.  
Annual lists of letters patents and letters of registration applied for, and particulars of applications lapsed, and patents lapsed, from 1880 to 1888 inclusive.  
Annual reports of the Registrar, containing alphabetical lists of applicants for letters patent and of inventions patented from 1889 to 1903 inclusive.  
The Patents Supplement to *Gazette* (containing notifications, applications for letters patent, abridged descriptions and drawings of inventions, &c.), published fortnightly.

#### LOCAL PATENT OFFICES.

Local patent offices for the reception of applications for letters patent without extra payment have been appointed at the following places: Ashburton, Auckland, Blenheim, Christchurch, Dunedin, Gisborne, Greymouth, Hokitika, Invercargill, Napier, Nelson, New Plymouth, Oamaru, Queenstown, Thames, Timaru, Wanganui, Westport. These are situated in the Supreme Court Buildings and S.M. Courthouses.

#### FORMS.

Forms of application and specification for letters patent, with sheet of information concerning fees and procedure, are obtainable without payment at the Patent Office, any local patent office or money-order office.

#### PATENT AGENTS.

A list of registered patent agents may be obtained on application.

\* May be seen also at the Public Library, Christchurch.

Patent Agent registered.

Patent Office,  
Wellington, 11th May, 1904.

IT is hereby notified that  
HOWARD PARRIS RICHMOND,  
of Lambton Quay, Wellington, New Zealand, Solicitor, has  
been registered as a Patent Agent.  
F. WALDEGRAVE,  
Registrar.

*Notice of Acceptance of Complete Specifications.*

Patent Office,  
Wellington, 12th October, 1904.

COMPLETE specifications relating to the under-mentioned applications for Letters Patent have been accepted, and are open to public inspection at this office. Any person may, at any time within two months from the date of this *Gazette*, give me notice in writing of opposition to the grant of any such patent. Such notice must set forth the particular grounds of objection, and be in duplicate. A fee of 10s. is payable thereon.

No. 16975.—5th August, 1903.—CHARLES FREDERICK LUNGBLEY, of No. 2, Eville Place, Albert Park, near Melbourne, Australia, Engineer. An improved method for the manufacture of malleable iron, steel, cast iron, and other alloys of iron from the ironsand of New Zealand.\*

*Claim.*—The described method for the manufacture of malleable iron, steel, cast iron, and other alloys of iron from the ironsand of New Zealand, consisting essentially in first progressively heating the ironsand in a reverberatory furnace until it is raised to the required temperature, and then subjecting it to the action of carbon-monoxide or other reducing gas so that the balance of oxygen remaining in the ironsand may be released and the full proportion of metallic iron obtained, substantially as and for the purposes specified.

[NOTE.—This is an application under section 106 of the Act, the date given being the official date of the application in Victoria.]

(Specification, 2s. 9d.)

No. 17273.—19th November, 1903.—ARTHUR LAWRENCE and FRANCIS JOSEPH LAWRENCE, both of Christchurch, New Zealand, Egg-graders. Improved means for packing eggs for transport purposes.\*

*Claims.*—(1.) In means for packing eggs for transport, the employment of a number of platforms or plates, having short legs, that are placed in a case one upon another in a tier so as to conveniently fill the same, and perforations in the plates wherein the eggs repose, substantially as shown and specified. (2.) In means for packing eggs for transport, the employment of a number of platforms or plates, short legs attached to the plates, the perforations therein having a downwardly projecting flange around their edges, the platforms being placed in a case one upon another so as to conveniently fill the same, substantially as described and illustrated.

(Specification, 2s. 3d.; drawing, 1s.)

No. 17371.—15th December, 1903.—GERALD IRVIN LOWE, of Palmerston North, Wellington, New Zealand, Flax-mill Hand. Improved apparatus for scutching flax and the like.\*

*Extract from Specification.*—The machine designed is composed of two sets of rotating radial beaters, mounted on parallel axes, one vertically above the other, those of each set being so arranged with regard to those of the other as to overlap and alternate with them as they are revolved.

[NOTE.—The above extract from the specification is inserted in place of the claims.]

(Specification, 2s. 3d.; drawing, 1s.)

No. 17378.—16th December, 1903.—THOMAS HEATE, of Pokororo, Nelson, New Zealand, Farmer. Improved instrument for use in castrating lambs.\*

*Claim.*—A castrating-appliance composed of a pair of jaws of arched form secured upon pivoted arms, such jaws being each provided with teeth upon their adjacent faces, such teeth being arranged in rows along both edges of the jaws, and a depression in each jaw between the rows of teeth, substantially as specified.

(Specification, 2s.; drawing, 1s.)

No. 17422.—30th December, 1903.—HANS SCHNITZER, of 8, Pfarr Gasse, Dresden, Saxony, German Empire, Gentleman. Improvements in methods of and apparatus for warming food and other material.\*

*Claims.*—(1.) A method of utilising the heat arising from chemical action for warming food and other materials, consisting in inserting a vessel in which chemical action is taking place into the vessel containing the food or other material, or, *vice versa*, wholly or partly surrounding the vessel containing the food or the like with a vessel in which chemical action is effected, substantially as described. (2.) Apparatus for applying the method claimed in claim 1, substantially as described. (3.) Apparatus for applying the method claimed in claim 1, in which a vessel containing the chemicals is inserted into the vessel containing the food or the like, substantially as described. (4.) In apparatus, as claimed in claim 3, the combination of a stopper containing the chemicals or part thereof, substantially as described.

(Specification, 4s. 3d.; drawing, 1s.)

No. 17442.—7th December, 1903.—WILLIAM PETER DALY, of Blackball, Greymouth, New Zealand, Inventor. Improved adjusting bolsters.\*

*Claims.*—(1.) In wagons or suchlike for the conveyance of long material as loads, in combination, a framed bolster having internal screws working sliding-chocks for cramping up the load, all substantially as described and as explained, and as illustrated in the drawing. (2.) In combination, in bolsters for carrying loads suitable for them, the bolsters hollow, framed, provided with reversible and sliding-chocks actuated by screws and handles, the whole swivelled in the usual manner for cramping the load, substantially as set forth, and as illustrated in the drawing.

(Specification, 2s.; drawing, 1s.)

No. 17639.—9th March, 1904.—ALEXANDER GILLIES, of Terang, Victoria, Australia, Dairyman. Improvements in pneumatic teat-cups.\*

*Extract from Specification.*—Teat cups according to this invention are provided with an inflatable tongue within the cup, conforming as nearly as possible to the shape of a calf's tongue, and are formed with a pair of lips inside the mouth of said cup which correspond in their action to the gums of the calf, whilst around the body is fitted an adjustable collar to suit the cup to different-sized teats.

[NOTE.—The above extract from the specification is inserted in place of the claims.]

(Specification, 5s.; drawings, 2s.)

No. 17819.—20th April, 1904.—HERMAN SEIFERT, of Wallacetown, Invercargill, New Zealand, Flax-miller. An improved water scutching-attachment.\*

*Extract from Specification.*—The improvement in my device consists of an upright frame JJ on each side of machine in which a bar C is free to move up and down.

[NOTE.—The above extract from the specification is inserted in place of the claims.]

(Specification, 1s. 9d.; drawing, 1s.)

No. 18204.—20th July, 1904.—AMERICAN SEEDING-MACHINE COMPANY, a corporation of New Jersey, with its office at 15, Exchange Place, Jersey City, New Jersey, United States of America (assignees of Frank R. Packham and George P. Oates, both of Springfield, Ohio, United States of America, Manufacturers). Improvements in distributors for grain-drills.

*Claims.*—(1.) In seeding-devices, the combination of hopper and spout, a central support, flanges projecting from said support, seed-feeding flanges formed with serrations above said support-flanges, forming cells, for the purpose specified. (2.) In a seeding-device, the combination of hopper and spout, a central support between said hopper and spout, flanges formed on said support, and seed-feeding flanges formed with notches adapted to be moved over said support-flanges and forming with said last-mentioned flanges cells for seed, for the purpose specified. (3.) In seeding-devices, the combination of hopper and spout, a central support, flanges projecting from said support, seed-feeding wheels with flanges formed with serrations above said support-flanges, forming cells, for the purpose specified. (4.) In seeding-devices, a hopper and spout, a support, flanges projecting from said support, seed-feeding flanges, notches along the periphery of said seed-feeding flanges formed at the

edges thereof, substantially of the same size as the seed, means for moving said feeding-flanges over the surface of said first-mentioned flanges, for the purpose specified. (5.) In seeding-devices, a hopper and a spout, a support, flanges projecting from said support, an extension to said support, seed-feeding flanges adapted to co-operate with said extension and said support-flanges, substantially as specified. (6.) In seeding-devices, hopper and spout, a support, flanges projecting from said support, a plurality of seed-feeding flanges, notches formed on the periphery of each feeding-flange, said notches forming with said support-flanges two opposing series of cells, each series being different in size from the opposing series, for the purpose specified. (7.) In seeding-devices, hopper and spout, a support, flanges projecting from said support, seed-feeding flanges, notches formed in said seed-feeding flanges, an extension from said support forming a stationary wall for said feeding-flanges and ending at the opening for said spout, for the purpose specified. (8.) In seeding-devices, hopper and spout, a support, flanges projecting from said support, seed-feeding flanges, notches formed on said feeding-flanges, constituting with said support-flanges seed-cells, and resilient material above said cells and about said spout, and means for increasing the pressure of said material against said cells, for the purpose specified. (9.) In seeding-devices, a hopper and spout, a support, including projecting flanges, an extension to said support, a guard forming with said extension a channel for seed, seed-feeding flanges, cells formed by said support-flanges, said extension, and said seed-feeding flanges, substantially as specified. (10.) In a seeding-device, a hopper, a spout leading from said hopper, a distributing-wheel projecting into said hopper having a serrated flange, and a stationary floor under said flange terminating at said spout, substantially as specified. (11.) In a seeding-device, a hopper, a spout leading from said hopper, a revoluble curved serrated wheel extending into said hopper, and a stationary floor under said wheel terminating at said spout, substantially as specified. (12.) In a seeding-device, a hopper, a spout leading therefrom, a stationary wall in said hopper, a stationary floor adjacent to said wall, a movable serrated seed-feeding flange adapted to be moved over said floor and adjacent to said wall, and means for adjusting said seed-feeding flange with reference to said wall, substantially as specified.

(Specification, 8s. 6d. ; drawing, 1s.)

No. 18373.—25th August, 1904.—CHARLES ERNEST HANSON ALLEN, of Pukeroa, Hunterville, New Zealand, Farmer. An improved fencing dropper or standard.

*Claim.*—A fencing standard or dropper composed of a strip of metal doubled over longitudinally into angular form and provided with slots, adapted to receive the fencing-wires extending inwards at inclines from both of its edges, the slots along each edge being arranged in approximately horizontal lines with those along the other edge, and the slots of each pair thus formed extending inwards from their respective edges at opposite inclines, substantially as specified, and as illustrated in the drawings.

(Specification, 2s. 3d. ; drawing, 1s.)

No. 18386.—1st September, 1904.—JOHN JOSEPH McDADE, of 19, Nevada Block, City and County of San Francisco, California, United States of America, Attorney-at-law. Improvements in machines for affixing postage-stamps or gummed labels.

*Extract from Specification.*—This invention relates to the production of an improved machine or device for moistening and affixing postage-stamps or gummed labels to letters and other articles, in which the stamps or labels are detached one at a time from a continuous strip at a line of perforations, and are moistened and fixed in place by the joint operation of a pair of gripping-jaws arranged to swing in an arc, and a reciprocating plunger giving motion to a presser-foot, beneath which the stamp or label is brought in position by the swinging jaws.

[NOTE.—The above extract from the specification is inserted in place of the claims.]

(Specification, 13s. ; drawing, 2s.)

No. 18390.—1st September, 1904.—SVEN AUGUST EKEHORN, of Södertelge, Sweden, Engineer. Improvements in rotating-churns.

*Claim.*—In such rotating-churns, in which the churn-vessel has a constant rotary direction and is provided at its bottom or at its top (or at its bottom as well as at its top)

with inner wings 9 partaking in the rotation of the vessel, while a stationary wing (grate or the like) in the vessel forms an obstacle working the cream, an arrangement characterized by the fact that the wings 9 have an oblique position to the radius of the drum in the plan of rotation, and, if necessary, are curved, in order that the continual movement of the cream radially and consequently axially in the vessel may be quickened, substantially as described.

(Specification, 3s. ; drawing, 2s.)

No. 18391.—1st September, 1904.—OLE MIKAEL JOHAN OLSEN, Builder, and WALTER GATES, Grocer, both of Church Street, Parramatta, New South Wales, Australia. An enclosed mechanical duplex alternating gas-regulator for extinguishing and relighting gas-burners.

*Claims.*—(1.) In apparatus, to be controlled by gas-pressure, for lighting and extinguishing gas-burners, the combination of a movable gas-bell with a fixed chamber, having a concentric container, and adapted to enclose a removable foundation-plate carrying operative mechanism, as and for the purposes set forth. (2.) In apparatus of the kind described, a foundation-plate having a centrally situated gas-passage and union arranged to receive an outer clamping-plate, as described and shown. (3.) In a foundation-plate of the kind described, the combination therewith of a central gas-passage and two (2) subsidiary gas-passages, adapted to be alternately opened and closed, as shown, and for the purposes set forth. (4.) The combination, with an enclosed foundation-plate having subsidiary passages, of mercury-chambers and movable bells, adapted to both seal and unseal the said subsidiary passages which communicate with externally situated gas-pipes, as and for the purposes set forth. (5.) The combination, with a foundation plate of the kind described, of a standard carrying a pendulum, a looped lever, and a balance-lever having suspended bells, and two side standards arranged to carry levers and connecting-rods adapted to be operated by the central stem of a movable gas-bell, as described and shown. (6.) The combination, with the bell of a gas-regulator whose chamber is used for enclosing operative mechanism of the kind described, of a central stem carrying upper and lower parallel bars whose opposite ends are connected to a fixed side standard, an oppositely situated side standard likewise having a lever whose connecting-rod is attached to the said stem and to a lower parallel bar, as described and illustrated, and for the purposes set forth. (7.) In mechanism operated by a gas-regulator bell, the combination consisting of a suspended pendulum and a looped lever having a stop for operating the said pendulum and to be operated by it, and an independent lever adapted to engage with a looped lever, as and for the purposes set forth. (8.) In combination, the central stem of a gas-regulator bell, with upper and lower parallel bars, and a balance-lever arranged exteriorly to the said central stem, to allow of its upward and downward movements, as described and illustrated. (9.) The combination, with an independent lever operated by the central stem of a gas-regulator, of a suspended looped lever having an operating-stop and a suspended pendulum, as described and illustrated, and for the purposes set forth. (10.) The general combination and arrangement of the parts described, the whole forming a complete enclosed mechanical duplex alternating gas-regulator for extinguishing and relighting gas-burners.

(Specification, 6s. ; drawing, 2s.)

No. 18394.—1st September, 1904.—EDWARD EAGAR, of 167, Pyrmont Bridge Road, Glebe Point, near Sydney, New South Wales, Contractor. An invention for painting, carrying, and laying in position wood blocks, timber, or other material used for paving streets and other works.

*Extracts from Specification.*—The blocks are passed through between the roller-wheels and thereby cause the larger wheel to revolve, and the liquid is lifted in the scoops and deposited on a tray C, which distributes it over the material required to be coated with the liquid, whence it passes along to and through the cleaners or brushes; . . . the blocks then fall on to a grate or grates in front of the tank . . . and slide along the grate on to and along the carrier, . . . as shown on Fig. 10. When the carrier is loaded with blocks . . . it is lifted off slide or rest T by the swivel handles and carried . . . or wheeled . . . to the face of work already laid, and is there rested on rockers; . . . the swivel handles are then turned round to one side and gently raised, thereby turning the carrier on to its side, at the same time laying the blocks in their proper position, as in Fig. 12.

[NOTE.—The above extracts from the specification are inserted in place of the claims.]

(Specification, 8s. ; drawings, 5s.)

No. 18395.—1st September, 1904.—THOMAS BURRELL, of 193, Abbotsford Street, North Melbourne, Victoria, Australia, Mechanic. Improved elastic attachment for soles and heels.

*Claim.*—Improved elastic attachment for soles and heels, consisting of fillets of rubber fitted into slots and provided with canvas or fabric bases fitting tightly up against the inner surface of said soles or heels, substantially as and for the purpose set forth.

(Specification, 1s. 6d. ; drawing, 1s.)

No. 18406.—6th September, 1904.—CLIFFORD ROBERT STEPHEN JOHN HALLÉ, of 204, Cromwell Road, South Kensington, London, England, Engineer. Improved construction of wheel for vehicles.

*Extracts from Specification.*—The object of my invention is to provide a cheap and durable wheel for any kind of vehicle, which will in itself have spring against shocks and jars.

My invention entirely does away with the possibility of any side play, while leaving the wheel proper free to spring on the axle, the action of the main springs being at right angles to the plane of the wheel, the object being to provide a serviceable spring hub or wheel and to do away with side play and also with the necessity of driving-through springs, and further relying for my resilience either entirely or principally on springs that have a tension in a lateral direction to the plane of the wheel, and not in the plane of the wheel, as is usual.

[NOTE.—The above extracts from the specification are inserted in place of the claims.]

(Specification, 10s. ; drawing, 4s.)

No. 18407.—6th September, 1904.—FRITZ EISENBEIS and FERDINAND GARELLY, both of Saarbrücken, Germany, Engineers. Improvements in and relating to cutters or tools for coal cutting, channelling, and like machines.

*Claims.*—(1.) A cutter or tool for coal cutting, channelling, and like machines, consisting essentially of a crown-shaped cutter having three or other odd number of radially arranged cutting-edges and a centrally arranged cutter. (2.) A cutter or tool for coal cutting, channelling, and like machines, comprising a shank adapted to be secured to the drill shaft of the machine, and having on the free end of such shank a series of outwardly projecting teeth with radially arranged cutting-edges of such number or so arranged as to keep the diameter of the operative end of the cutter across such edges practically constant and a centrally arranged cutter. (3.) The improved cutter or tool for coal cutting, channelling, and like machines, constructed and arranged substantially as described, and shown on the drawing.

(Specification, 2s. 3d. ; drawing, 1s.)

No. 18415.—7th September, 1904.—MORIZ WEINRICH, of 76, Ashburton Avenue, Yonkers, New York, United States of America, Manufacturer. Improvements in apparatus for drying, revivifying, and decarbonising filtering-media, such as boneblack, and for drying other granular or finely divided materials.

*Claims.*—(1.) In apparatus of the character described, a revoluble drum having its circumference corrugated to form an annular series of troughs communicating with the interior of the drum. (2.) Apparatus for drying, revivifying, and decarbonising boneblack and other material, comprising in its construction a revoluble drum and end heads therefor, and means for connecting said heads, said drum having an annular series of approximately U-shaped troughs communicating with the interior of the drum, and imparting to the exterior thereof a corrugated form. (3.) In apparatus for drying, revivifying, and decarbonising boneblack and other material, a revoluble drum consisting of two head-pieces, an angle-iron framework connecting the same, and a series of independent, approximately U-shaped troughs fixed to said framework, and forming, with said head-pieces, a closed drum of corrugated shape, substantially as described. (4.) Apparatus for drying, revivifying, and decarbonising boneblack and other material, comprising in its construction a revoluble drum composed of two head-pieces, a connecting framework, a series of independent approximately U-shaped troughs, a hood enclosing the feed end of the drum and provided with an air-pipe, a hood enclosing the discharge end of said drum and provided with an air-vent, and a furnace located beneath the feed end of the drum, substantially as described. (5.) The general construction and arrangement of parts constituting an air drying apparatus with revolving drum,

substantially as described and shown by the drawings, and the application of such an apparatus for drying, revivifying, and decarbonising carbonaceous filtering-media.

(Specification, 7s. 6d. ; drawing, 4s.)

No. 18416.—7th September, 1904.—THOMAS COOK, of Petone, New Zealand, Cooper. An improved crozing and chiming machine.

*Extract from Specification.*—The casks or barrels are placed on the semicircular tracks E and M, with the ends intended to be operated upon bearing against the sliding portions C of the fixed frame; the motive power is then brought into operation, and on the lever A being inserted and depressed the end of the cask or barrel next to the frame with the sliding-block C is raised, and comes into contact with the feed-rolls H and the knives or cutters fixed on the cutter or shaper head G, and are given the desired shape. The feed-rolls H are kept in contact with the inside of the cask by the weight of the swinging-frame I. When the croze and chime have been formed on one end of the cask, the lever is elevated and the ends of the casks or barrels reversed and formed in the like manner as above. In order to accommodate casks and barrels of varying diameter the outer semicircular tracks may be made adjustable.

[NOTE.—The above extract from the specification is inserted in place of the claims.]

(Specification, 3s. 9d. ; drawings, 2s.)

No. 18418.—7th September, 1904.—STANDARD MOUTHPIECE-MACHINE COMPANY, a corporation organized and existing under the laws of the State of New York, United States of America, Manufacturers, and doing business at 128, West Thirty-third Street, New York, State of New York aforesaid (assignees of George Pierce Butler, of 9, West Twenty-ninth Street, New York aforesaid, Manufacturer). Improvements in mouthpieces for cigarettes or cigars, applying the said mouthpieces to cigarettes or cigars, and in apparatus therefor.

*Claims.*—(1.) A cigarette-mouthpiece or cigar-mouthpiece, comprising a strip of flexible material wound or adapted to be wound so that its internal portion serves as a shoulder or stop for the end of the cigarette or cigar in conjunction with which it is to be used for the purpose specified. (2.) In a mouthpiece as aforesaid for a cigarette or cigar, the narrow portion adapted when the mouthpiece is wound to extend transversely of the interior of the wider portion, substantially as and for the purpose specified. (3.) A cigarette or cigar provided with a piece of paper or equivalent material wound around and projecting from its end so as to constitute a mouthpiece, and having the inner end of said piece of paper or equivalent material extending partially or entirely across the interior of the mouthpiece for the purpose specified. (4.) A machine for forming and attaching cigarette-mouthpieces or cigar-mouthpieces, and comprising a holding-device for the cigarette or cigar, in conjunction with a relatively reciprocating and rotary spindle or its equivalent, adapted to enter the holding-device so as to convey thereto a strip of flexible material or incomplete mouthpiece, and to wind said strip or mouthpiece upon the cigarette or cigar, substantially as described. (5.) The said holding-device, comprising a rotary cylinder or its equivalent, having one or more receptacles or containers adapted at intervals to register with the mouthpiece-winding device, so as to permit said winding-device to enter and be withdrawn from the holding-device, substantially as and for the purpose specified. (6.) In a machine for the manufacture of mouthpieces, the intermittent feed mechanism, comprising a travelling pivoted pawl or its equivalent, adapted to supply the strips or pieces of flexible material to the mouthpiece-forming devices, substantially as and for the purpose specified. (7.) In a machine for forming or attaching the mouthpieces of cigarettes or cigars, the reciprocating rods or bars adapted to register at intervals with the receptacles or containers in the movable holding-device, so as to insert or remove the cigarettes or cigars into or from said receptacles or containers, or to remove the completed mouthpiece from said receptacles or containers, substantially as and for the purpose specified. (8.) In a machine for attaching mouthpieces to cigarettes or cigars, a magazine adapted to hold a number of superposed cigarettes or cigars in conjunction with a device for removing said cigarettes or cigars therefrom and arranging them one at a time in a position from which they can be advanced into the holding-device, substantially as and for the purpose specified. (9.) The aforesaid magazine in combination with a feed-hopper, or the like, adapted to receive a rocking or shaking movement whereby said hopper is caused to deliver the cigarettes or

cigars to the magazine in a superposed position or column, substantially as and for the purpose specified. (10.) In a machine for forming or attaching the mouthpiece of cigarettes or cigars, the device substantially as described with reference to Figs. 1, 2, 3, 4, and 15 for applying adhesive to the strips or pieces of flexible material constituting the mouthpieces for the purpose specified. (11.) In a machine for forming or attaching the mouthpieces of cigarettes or cigars, the means substantially as described for retaining the cigarettes or cigars in the holding device during the act of withdrawing the mouthpiece forming or attaching the device therefrom. (12.) Apparatus having its parts constructed, arranged, and adapted to operate substantially as described with reference to the drawings for the purpose specified. (13.) A mouthpiece constructed or attached to a cigarette or cigar, substantially as described with reference to the drawings for the purpose specified.

(Specification, £1 2s. ; drawings, 6s.)

No. 18419.—7th September, 1904.—JOHN ALBERT FER-GUSON, of 811, Seventeenth Street, City and County of Denver, Colorado, United States of America, Capitalist. Mould for building-blocks.

*Extract from Specification.*—I provide removable fillers, that is, one set for regulating the heights of the blocks, and the other set for forming the different widths of the blocks, thereby varying the width of the wall to be constructed. The cores are adapted to be interchangeable for making the different shapes of the blocks. By this means the one mould is given a capacity for making blocks for walls varying greatly in the thickness thereof.

[NOTE.—The above extract from the specification is inserted in place of the claims.]

(Specification, 6s. ; drawing, 1s.)

No. 18423.—7th September, 1904.—CHARLES EDWARD FLETCHER HALL and JOHN CHARLES RICHARDSON PRICE, both of Fitzherbert Street, Palmerston North, New Zealand, Coachbuilders and Undertakers. Improved adjustable body-slide for two-wheeled vehicles.

*Claims.*—(1.) For the purposes indicated, the parts constructed, combined, and operating substantially as and for the purposes specified, and illustrated in the drawing. (2.) For the purpose indicated, in combination, a vehicle-body, levers upon which said body is supported, pivotally connected to the shafts, a hand-lever, and a connecting-rod connecting said hand-lever with one of said pivoted levers, a back spring, shackles one upon each end thereof, a roller journalled in each shackle, and guide-races for each roller formed upon the side-springs of the vehicle, substantially as specified and illustrated.

(Specification, 2s. 3d. ; drawing, 1s.)

No. 18430.—8th September, 1904.—JOHN TAYLOR, of Fern Street, Islington, Newcastle, New South Wales, Australia, Engineer. Improvements in washboards.

*Claims.*—(1.) In a washboard, a frame consisting of the top and bottom boards *f* and *h* respectively, and the sides *a* and *a'*, the upper ends of which screw into said top board, substantially as set forth. (2.) In a washboard, spindles such as *d*, free to move, and supported in a frame, substantially as set forth. (3.) In a washboard, the combination of the sides *a* and *a'* on which are shoulders such as *b*, or in which are pins as at *c*, with the top and bottom boards *f* and *h*, the spindles *d*<sup>1</sup>, *d*<sup>2</sup>, and the spindles *d*, *d*, *d*, substantially as set forth. (4.) In a washboard, spindles such as shown in Fig. 3, free to move, and supported in a frame, substantially as set forth.

(Specification, 3s. 3d. ; drawing, 1s.)

No. 18437.—12th September, 1904.—ARTHUR STEWART BURGESS, of Wanganui, New Zealand, Warehouseman (nominee of Alexander Hatriek, of Wanganui aforesaid, Merchant, the assignee of William Thompson, of Caterham Valley, Surrey, England). A tipping-wagon.

*Claims.*—(1.) In tipping-wagons, a tipping-frame hinged to the body of the wagon at a point forward of its centre, and normally supporting the front end of the wagon, and means whereby the axle supporting the wagon at its back end may be moved so as to transfer the support to a point forward of the centre, when the tipping-frame is backed, substantially as specified. (2.) In tipping-wagons, a tipping-frame hinged to the body of the wagon at a point forward of its centre and normally supporting the front end of the wagon, a block extending across beneath the wagon-body and above the axle-bar, hinged at its front face to the under-

side of the wagon-body and at its rear face to the rear face of the axle-bar, and means whereby such block may be kept vertically above the axle-bar and may be caused to turn forward on its hinges when the tipping-frame is moved back, substantially as specified. (3.) In tipping-wagons, a tipping-frame hinged to the body of the wagon at a point forward of its centre and normally supporting the front end of the body, a block extending across beneath the body and above the rear axle, hinged at its front face to the underside of the body and its rear face to the rear face of the axle-bar, a metal bar extending forwardly from the axle-bar and beneath the body, a slot formed longitudinally in such bar, and a pin passing through the forward end of such slot and carried in the tipping-frame, all substantially as and for the purposes specified. (4.) The general arrangement, construction, and combination of parts in my tipping-wagon described and explained, as illustrated in the drawings, and for the several purposes set forth.

(Specification, 3s. 9d. ; drawing, 1s.)

No. 18536.—2nd August, 1904.—RICHARD ERNEST JAMES, of 186, Armagh Street, Christchurch, New Zealand, Grocer's Assistant. Improved milk-strainer.

*Claim.*—Improved milk-strainer, comprising an elongated bowl, a hollow tin cone which telescopes into the aforesaid bowl, the said cone having fixed thereon slides with springs attached to lower ends of slides to hold detachable angle gauzes, also circular tin flange which telescopes into elongated bowl and rests on base of cone.

(Specification, 1s. 9d. ; drawing, 1s.)

An asterisk (\*) denotes the complete specification of an invention for which a provisional specification has been already lodged.

NOTE.—The cost of copying the specification and drawing has been inserted after the notice of each application. An order for a copy or copies should be accompanied by a post-office order or postal note for the cost of copying.

The date of acceptance of each application is given after the number.

Extracts from the drawings accompanying the foregoing complete specifications appear at the end of this *Gazette*.

F. WALDEGRAVE,  
Registrar.

#### Provisional Specifications.

Patent Office,  
Wellington, 13th October, 1904.

APPLICATIONS for Letters Patent, with provisional specifications, have been accepted as under:—

No. 18412.—6th September, 1904.—GEORGE BROUGHAM HUBERT AUSTIN, of Atherton Road, Oakleigh, Victoria, Australia, Architect. Improvement in adjusting vernier ventometers and traversing-ladders and wind-gauges to be used on rifles.

No. 18413.—6th September, 1904.—ROBERT FREDERICK WAX, of 23, Palmerston Buildings, Queen Street, Auckland, New Zealand, Journalist. A window-fastener.

No. 18414.—6th September, 1904.—JOHN WATT, of Balclutha, New Zealand, Gas Engineer. An improved portable gas-fire ball-heater, for attaching to any ordinary pendant-bracket or other gas-attachment.

No. 18426.—8th September, 1904.—EDWARD ALBERT GEORGE HAMLIN, of Dannevirke, Hawke's Bay, New Zealand, Carpenter, &c. Book-covers.

No. 18439.—8th September, 1904.—JOHN SAMUEL NICHOLSON, of Okaihu, Bay of Islands, New Zealand, Farmer. Improvements in nails for special purposes.

No. 18440.—9th September, 1904.—PETER EVAN THOMPSON, of Remuera, near Auckland, New Zealand. A speedy fire-lighter.

No. 18441.—13th September, 1904.—ALFRED OWEN GRUNDY and WILLIAM JOHN GRUNDY, both of Onehunga, Auckland, New Zealand, Mechanical Engineers. An improved clinch for fixing handles to buckets, tins, saucepans, and other like requirements.

No. 18442.—13th September, 1904.—HENRY GEORGE BLACKIE, of 28, Shortland Street, Auckland, New Zealand. An improved hygienic teapot.

No. 18443.—13th September, 1904.—PATRICK CODY, Jun., of Riversdale, Southland, New Zealand, Farmer. An improvement relating to pneumatic tires.

No. 18444.—13th September, 1904.—THOMAS HORBY BROWN, of Wellington, New Zealand, Company's Manager. An improved fastening for bridles.

No. 18460.—16th September, 1904.—EDWARD McMURRAY CUTBERT, of Christchurch, New Zealand, Insurance Agent. A detachable sink-guard for sanitary purposes.

No. 18461.—16th September, 1904.—FREDERICK RICHARD HYDE, of Ashburton, Canterbury, New Zealand, Plumber and Gasfitter. An improved acetylene-gas generator.

No. 18471.—20th September, 1904.—STANLEY WYNNE JAMESON, of Christchurch, New Zealand, Clerk. A match-striking attachment for pipes, cigarette and cigar holders.

No. 18473.—22nd September, 1904.—RAPHAEL PALADINI, off Arney Street, Newtown, Wellington, New Zealand, Carpenter. Improved apparatus for flushing the pans of water-closets.

No. 18474.—22nd September, 1904.—ALEXANDER MCLEOD, of 171, Queen Street, Brisbane, Queensland, Australia, Confectioner. Improvements in tripod-stands for cameras and suchlike articles.

No. 18475.—22nd September, 1904.—DANIEL HYDE KINGSTON MCGUINNESS, of Mackay Street, Wangaratta, Victoria, Australia, Commission Merchant. An improved elevating hand-truck.

No. 18476.—22nd September, 1904.—EDWARD HOPE KIRKBY, of 464, Collins Street, Melbourne, Victoria, Australia, Electrician. Improvements in and relating to closed circuit fire-alarms.

No. 18477.—22nd September, 1904.—OSWALD THOMAS MADELEY, of Corindhap, Grenville, Victoria, Australia, Watchmaker. An improved tool for pruning fruit and other trees.

No. 18479.—22nd September, 1904.—GEORGE WILLIAM BERRY and JOHN JOSEPH SNEESBY, trading together as The "Berry Patent" Can Manufacturing Company, of Clarke and Haig Streets, South Melbourne, Victoria, Australia, Tin-canister Manufacturers. Improved revolving-roller mechanism for crimping can bodies over their ends.

No. 18480.—22nd September, 1904.—GEORGE WILLIAM BERRY and JOHN JOSEPH SNEESBY, trading together as The "Berry Patent" Can Manufacturing Company, of Clarke and Haig Streets, South Melbourne, Victoria, Australia, Tin-canister Manufacturers. An improvement in the method of securing the ends of tin canisters.

No. 18481.—22nd September, 1904.—CHARLES HOWE BISSAKER, of Parker Street, Cootamundra, New South Wales, Australia, Licensed Gas-fitter. Improved acetylene-gas generator.

No. 18484.—22nd September, 1904.—JAMES DAVIES, of Vermont Street, Auckland, New Zealand. Improvements in wagons and the like.

No. 18486.—23rd September, 1904.—ROBERT WHILEY, Jun., of Ohau, Wellington, New Zealand, Horse Agent. Improved station-indicator.

No. 18487.—23rd September, 1904.—HERBERT JAMES BAKER, of 135, Barbadoes Street, Christchurch, Canterbury, New Zealand, Commission Agent. Improved cream-separator.

No. 18488.—23rd September, 1904.—HENRY JOSEPH GARDINER, of Durham Street North, Christchurch, Canterbury, New Zealand, Cycle Engineer. A bicycle-attachment to carry a child or parcel.

No. 18489.—20th September, 1904.—HENRY ENGLEBERT JOHNSON, of Dunedin, New Zealand, Carpenter. Improvements in and relating to crutches.

No. 18491.—22nd September, 1904.—ARTHUR JOHN HENRY LANGE, of White Swan Hotel, 321, Tuam Street, Christchurch, New Zealand, Carpenter and Joiner. A domestic washing-board.

No. 18493.—21st September, 1904.—ANDREW GORDON FRENCH, of Williamson Avenue, Newton, Auckland, New Zealand, Chemist. An improvement in obtaining ammonium chloride from coal and other mineral and organic substances containing nitrogen.

No. 18494.—22nd September, 1904.—WILLIAM SHAW DIEDREICH SCHMIDT, of Church Street, Ponsonby, Auckland, New Zealand, Lithographer. An invention for protecting the soles of boots and shoes.

No. 18496.—26th September, 1904.—JAMES GRAY, of Reid and Gray, Dunedin, Otago, New Zealand, Agricultural Engineer. Improved device for sowing mangold and the like seeds.

No. 18497.—26th September, 1904.—HENRY WILSON, of Stratford, New Zealand, Saddler. A contrivance for killing small birds by means of an electric current.

No. 18498.—26th September, 1904.—ROBERT WESTON, of 110, Huxley Street, Sydenham, Canterbury, New Zealand, Pattern-cutter. Cycle shoe or boot.

No. 18499.—26th September, 1904.—THOMAS CHARLES HEMENT, of Hereford Street, Christchurch, Canterbury, New Zealand, Engineer. Improved ridging.

No. 18502.—28th September, 1904.—ALEXANDER PARKER, of Dannevirke, Hawke's Bay, New Zealand, Engineer. An improved four-check ballot-box.

No. 18507.—28th September, 1904.—RICHARD CLEGHORN, of Seymour Road, Elsternwick, Victoria, Australia, Traveller, and GEORGE MAKER NELSON, of Smith Street, Warragul, Victoria, Australia, Agent. Improvements in disc and other ploughs.

No. 18508.—28th September, 1904.—GEORGE WILLIAM BERRY and JOHN JOSEPH SNEESBY, trading together as the "Berry Patent" Can Manufacturing Company, of Clarke and Haig Streets, South Melbourne, Victoria, Australia, Tin-canister Manufacturers. An improved rotary can-seaming machine.

No. 18509.—28th September, 1904.—THOMAS WARD, of Hawthorn Street, Southwark, Prospector, GILBERT ST. JOHN SANDERS, of Salop Street, North Kensington, Agent, and JOHN EDWIN RIDGWAY, of Edmund Avenue, Unley, Blacksmith, all in South Australia. New or improved apparatus and gas for use in the destruction of rabbits and other animals.

No. 18510.—29th September, 1904.—ALBERT EDWARD LANGFORD, of 383, Collins Street, Melbourne, Australia, a member of the Melbourne Stock Exchange, assignee of George Crooker Smith, of 57, Odessa Street, St. Kilda, Melbourne, Australia. An improvement in callipers and dividers.

No. 18513.—27th September, 1904.—CHARLES JOHANSON, of Dillmanstown, New Zealand, Farmer. A potato planting and hilling machine.

No. 18514.—28th September, 1904.—SAMUEL NICOLSON, of Medway Street, Gore, New Zealand, Sailmaker. An improved method of preparing leather to make it water-proof.

No. 18518.—24th September, 1904.—DONALD ROBERTSON, of Wellington, New Zealand, Civil Servant. Improvements in envelopes, wrappers, and the like.

No. 18523.—29th September, 1904.—WALTER HENRY DAVEY, of Timaru, New Zealand, Sewing-machine Expert. An improved cream-separator.

No. 18524.—28th September, 1904.—THOMAS RITCHIE, of Grasmere, New Zealand, Plumber. Improvements in stop-cocks.

No. 18527.—30th September, 1904.—JOHN STEVENSON, of Waimate, Canterbury, New Zealand, Tent-maker. An improved tent suitable for use by persons under treatment by the open-air cure.

No. 18528.—1st October, 1904.—THOMAS CHARLES HEMENT, of Hereford Street, Christchurch, Canterbury, New Zealand, Engineer. Improved means of forming O.G. spouting.

No. 18535.—30th September, 1904.—GEORGE SEATOR STEVENSON, of Gore, New Zealand, Contractor. Clay-remover for dredges and the like.

NOTE.—Provisional specifications cannot be inspected, or their contents made known by this office in any way, until the complete specifications in connection therewith have been accepted. The date of acceptance of each application is given after the number.

F. WALDEGRAVE,  
Registrar.

*Letters Patent sealed.*

LIST of Letters Patent sealed from the 29th September to the 11th October, 1904, inclusive:—

- No. 16494.—J. B. Poynter, paper and package fastener.
- No. 16508.—H. Gunthorpe, anaesthetic inhaler.
- No. 16545.—P. Gavin, window-fastener.
- No. 16554.—R. A. Montgomerie, fencing-dropper.
- No. 16559.—R. Baxter, sash-fastener.
- No. 16562.—G. R. Ogle, draught and dust excluder. (J. H. Mackie.)
- No. 16564.—H. F. Lattey and W. G. Sommerville, wall and table bracket.
- No. 16595.—D. McKenzie, coiler and spindle.
- No. 16704.—G. Holford, trouser-stretcher.
- No. 16865.—J. P. Campbell, voltage regulator and controller. (The British Westinghouse Electric and Manufacturing Company, Limited.)
- No. 18016.—J. P. Campbell, electric brush-holders. (R. Siegfried and C. B. Mills.)
- No. 18036.—J. B. Hannay, anti-fouling composition for ships.
- No. 18063.—J. P. Campbell, dynamo electric machines. (H. Chitty.)
- No. 18066.—J. P. Campbell, rotary electric machines. (H. Chitty.)
- No. 18078.—H. E. Parry, R. W. Thomson, and W. J. Farley, rotary engine.

F. WALDEGRAVE,  
Registrar.

*Letters Patent on which Fees have been paid.*

[NOTE.—The dates are those of the payments.]

SECOND-TERM FEES.

- No. 12825.—T. H. Pearce, cotton-gin and wool-burrer. (M. Prior.) 29th September, 1904.
- No. 13056.—F. A. Rich, velocipede gear. 7th October, 1904.

No. 13062.—W. J. Linton, hydraulic air-compressor. 5th October, 1904.

No. 13334.—Loop-lock Machine Company, boot-sewing machine. (E. E. Bean.) 28th September, 1904.

THIRD-TERM FEES.

No. 10005.—The Monotype Machine (Colonial Patents) Syndicate, Limited, record strips. (T. Lanston.) 28th September, 1904.

No. 10006.—The Monotype Machine (Colonial Patents) Syndicate, Limited, type-casting machines. (T. Lanston.) 28th September, 1904.

F. WALDEGRAVE,  
Registrar.

*Requests to amend Specifications allowed.*

NO. 11122.—D. Donald, wire-strainer. (Advertised in Supplement to *New Zealand Gazette*, No. 59, of the 7th July, 1904.)

No. 16909.—The Wolseley Sheep-shearing Machine Company, Limited, flexible joint. (Advertised in Supplement to *New Zealand Gazette*, No. 36, of the 28th April, 1904.)

F. WALDEGRAVE,  
Registrar.

*Applications for Letters Patent abandoned.*

LIST of applications for Letters Patent, with which provisional specifications only have been filed, abandoned (*i.e.*, complete specifications not lodged) from the 29th September to the 11th October, 1904, inclusive:—

No. 17309.—A. V. Knapp, expanding horses' hoofs.

No. 17317.—N. R. Gordon, producing living movements on screen.

No. 17319.—C. Nettheim and R. Steele, boot.

No. 17321.—J. W. George, castor.

No. 17323.—A. J. Park, shackle and snatch block. (W. Beamish.)

No. 17326.—J. S. Sleight, rail-joint.

No. 17330.—F. J. Jones, extensible bracket.

No. 17333.—T. J. Heskett, smelting metallic oxides and melting metals.

No. 17337.—J. A. Webb, bag and package receiver.

No. 17340.—T. W. Denton, potato-planting attachment.

No. 17345.—W. E. C. Hoadley, inversion of sugar.

No. 17346.—W. Hood, spring for chairs.

No. 17351.—J. Theobald, shaft-tug for harness.

No. 17356.—E. Waters, jun., pneumatic-tire cover. (E. Midgley.)

No. 17358.—W. Sutton, disc-harrows travelling-gear.

No. 17361.—W. T. Earl, straining fencing-wire.

No. 17362.—C. H. Knowles and F. W. Taylor, stopping ships.

No. 17364.—M. McCarthy, composition for poisoning rabbits.

No. 17365.—R. H. Skipworth, locking rail and tramway doors.

No. 17366.—A. Thurlby, attachment to bicycle-handle.

No. 17367.—J. Hercus and F. W. Barton, horn-protector for cattle.

No. 17368.—H. Kerr and J. Woodhead, seed-sower.

No. 17373.—J. Stewart, polish-spreading machine.

F. WALDEGRAVE,  
Registrar.

*Applications for Letters Patent void.*

APPLICATIONS for Letters Patent, with which complete specifications have been lodged, void, owing to non-acceptance of such complete specifications, from the 29th September to the 11th October, 1904, inclusive:—

No. 16584.—R. W. Gibbs, door-check.

No. 16604.—J. A. Berg, candle-extinguisher.

F. WALDEGRAVE,  
Registrar.

*Applications for Letters Patent lapsed.*

LIST of applications lapsed owing to Letters Patent not being sealed, from the 29th September to the 11th October, 1904, inclusive:—

No. 16186.—R. Congreve, bicycle-lock.

No. 16188.—G. Stevenson, earth-auger.

No. 16191.—I. Hunter, cuff.

No. 16192.—J. Montgomery, tie-clip.

No. 16197.—R. R. Donaldson, ventilation of sewers.

No. 16198.—G. Stevenson, candle-extinguisher.

F. WALDEGRAVE,  
Registrar.

*Letters Patent void.*

LETTERS Patent void through non-payment of renewal fees from the 29th September to the 11th October, 1904, inclusive:—

THROUGH NON-PAYMENT OF SECOND-TERM FEES.

No. 12741.—E. Smallbone, horse-cover.

No. 12745.—W. T. Purves, carburetter.

No. 12752.—H. S. Chipmen, oil-lamp burner.

No. 12754.—S. P. A. Andersson, centrifugal churn.

No. 12755.—R. Garnham, valve for water-cistern.

No. 12756.—W. Taylor and A. Pasco, rabbit-trap fastener.

No. 12760.—Fraser and Chalmers, Limited, pump. (J. Stumpf.)

No. 12762.—John Smith and Sons, Limited, and W. Leach, recovering grease from wool and fibre.

No. 12768.—V. Thomas, manufacturing filaments for electric lamps.

No. 12776.—A. J. Knocks, horse and cattle medicine.

No. 12777.—J. Miller, self-feeding stoker for steam-boilers.

No. 12784.—F. H. Tucker, brushes for wetting paper.

THROUGH NON-PAYMENT OF THIRD-TERM FEES.

No. 9642.—A. Bock, candle-lamp.

No. 9645.—T. Waterworth, sewer-trap.

F. WALDEGRAVE,  
Registrar.

*Designs registered.*

DESIGNS have been registered in the following names on the dates mentioned:—

No. 219.—O'Sullivan Rubber Company, a corporation organized and existing under the laws of the State of Maine United States of America, of Portland, State of Maine, United States of America, and having a place of business at Lowell, States of Massachusetts, United States of America. Class 3. 29th September, 1904.

No. 220.—Charles M. Brooke, of Lancaster Park, Christchurch, in the colony of New Zealand, Chemist. Class 4. 30th September, 1904.

F. WALDEGRAVE,  
Registrar.

*Applications for Registration of Trade Marks.*

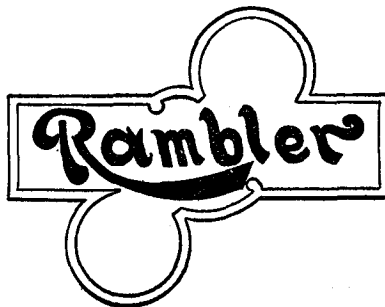
Patent Office,  
Wellington, 11th October, 1904.

APPLICATIONS for registration of the following trade marks have been received. Notice of opposition to the registration of any of these applications may be lodged at this office within two months of the date of this *Gazette*. Such notice must be in duplicate, and accompanied by a fee of £1.

No. of application: 4525.

Date: 20th January, 1904.

TRADE MARK.



NAME.

POPE MANUFACTURING COMPANY, a corporation having its principal place of business at 13-21, Park Row, in the Borough of Manhattan, City, County, and State of New York, United States of America.

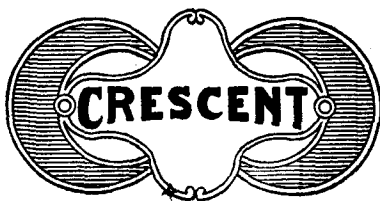
No. of class : 22.

Description of goods : Vehicles such as bicycles and automobiles.

No. of application : 4526.

Date : 20th January, 1904.

TRADE MARK.



NAME.

POPE MANUFACTURING COMPANY, a corporation having its principal place of business at 13-21, Park Row, in the Borough of Manhattan, City, County, and State of New York, United States of America.

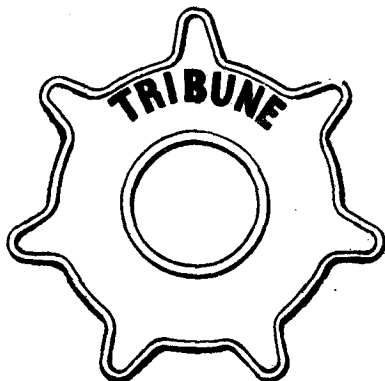
No. of class : 22.

Description of goods : Vehicles such as bicycles and automobiles.

No. of application : 4527.

Date : 20th January, 1904.

TRADE MARK.



NAME.

POPE MANUFACTURING COMPANY, a corporation having its principal place of business at 13-21, Park Row, in the Borough of Manhattan, City, County, and State of New York, United States of America.

No. of class : 22.

Description of goods : Vehicles such as bicycles and automobiles.

No. of application : 4529.

Date : 20th January, 1904.

TRADE MARK.



NAME.

POPE MANUFACTURING COMPANY, a corporation having its principal place of business at 13-21, Park Row, in the Borough of Manhattan, City, County, and State of New York, United States of America.

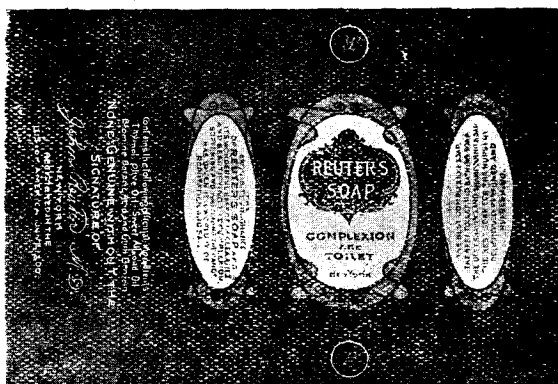
No. of class : 22.

Description of goods : Vehicles such as bicycles and automobiles.

No. of application : 4847.

Date : 4th August, 1904.

TRADE MARK.



The essential particular of the trade mark is as follows : the combination of devices ; and applicants disclaim any right to the exclusive use of the added matter, save and except the name " Reuter's."

NAME.

REGINALD GEORGE BARCLAY and CLARA S. BARCLAY, both of the City, County, and State of New York, United States of America.

No. of class : 48.

Description of goods : Toilet-soap.



No. of application: 4856.  
Date: 9th August, 1904.

TRADE MARK.

*Duncan Gow's*  
**"HIGHLAND D. G. CLAN"**  
**OLD SCOTCH WHISKY.**  
*Glasgow.*  
*This bottle is guaranteed to contain one-sixth of an Imperial Gallon of Rare Old Scotch Whisky.*

The essential particulars of the trade mark are as follows: The distinctive label containing the monogram "D. G.," and the words "Highland Clan"; and any right to the exclusive use of the added matter is disclaimed.

NAME.

JOHN DEWAR AND SONS, LIMITED, of Perth, Scotland, and Angel Place, Sydney, in the State of New South Wales, in the Commonwealth of Australia, Distillers.

No. of class: 43.

Description of goods: Whisky.

No. of application: 4865.  
Date: 15th August, 1904.

TRADE MARK.



The essential particulars of this trade mark are the representation of a rock and the word "Rock"; and any right to the exclusive use of the added matter is disclaimed.

NAME.

A. H. TOMPKINS AND Co., of 157, Hereford Street, Christchurch, New Zealand, Manufacturers.

No. of class: 42.

Description of goods: All food substances, including pepper, coffee, chicory, tea, mixed spice, ginger, pimento, cloves, cinnamon, carraways, mace, nutmeg, honey, cornflour, rice, baking-powder, currie-powder, icing-sugar, vinegar, glycerine (when prepared for use as an ingredient in food), arrowroot, jelly-crystals, oils (when used as food or as in-

gredient in food), linseed (when used as food or as ingredient in food), dried fruit, preserved fruit, egg-powder, sage, thyme, majoram, cream of tartar, bicarbonate of soda, birdseed.

No. of application: 4866.  
Date: 15th August, 1904.

TRADE MARK.

(The mark as shown in preceding notice, No. 4865.)

The essential particulars of this trade mark are the representation of a rock and the word "Rock"; and any right to the exclusive use of the added matter is disclaimed.

NAME.

A. H. TOMPKINS AND Co., of 157, Hereford Street, Christchurch, New Zealand, Manufacturers.

No. of class: 50.

Description of goods: Blacking, linoleum-polish, hearth-powders.

No. of application : 4913.

Date : 13th September, 1904.

TRADE MARK.

**ZEBRA BRAND.**

The essential particulars of this trade mark are the device of a rearing zebra surrounded by oval-shaped lines and name and address of applicant, and the word "Zebra"; and any right to the exclusive use of any added matter is disclaimed.

NAME.

THOMAS CLIFFORD HILL, of Christchurch, in the Colony of New Zealand, Aerated-water Manufacturer.

No. of class : 44.

Description of goods Aerated-waters.

No. of application : 4932.

Date : 24th September, 1904.

TRADE MARK.

The word

**CHALKRITE.**

NAME.

WINIFRED MALE, of Woodward Street, Wellington, New Zealand, Dressmaker.

No. of class : 13.

Description of goods: A skirt-leveller.

No. of application : 4933.

Date : 26th September, 1904.

TRADE MARK.



The essential particular of the trade mark is the distinctive label or brand; and the right to the exclusive use of any added matter is disclaimed.

NAME.

HORROCKSES, CREWDSON, AND Co., LIMITED, of 4 and 5, Love Lane, Wood Street, London, and 107, Piccadilly, Manchester, England, Cotton Spinners and Manufacturers.

No. of class : 24.

Description of goods : Cotton piece-goods of all kinds.

No. of application : 4934.

Date : 28th September, 1904.

TRADE MARK.

The word

**VENTURENE.**

NAME.

CHANCE BROS. AND Co., LIMITED, of Glass Works, West Smethwick, in the County of Stafford, England, Manufacturers.

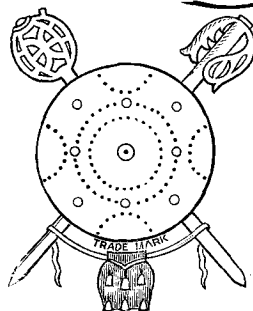
No. of class : 15.

Description of goods : Glass facing-tiles.

No. of application : 4936.  
Date : 28th September, 1904.

TRADE MARK.

The  
"Scottish Brand"  
of Household  
Linen



The essential particular of this trade mark is the combination of devices; and any right to the exclusive use of the words "The Scottish Brand of Household Linen" is disclaimed.

NAME.

KIRKCALDIE AND STAINS, LIMITED, of Lambton Quay, Wellington, and of Napier, New Zealand, Drapers.

No. of class : 28.

Description of goods : Linen goods used for household purposes not included in classes 26, 27, and 50.

No. of application : 4939.  
Date : 28th September, 1904.

TRADE MARK.

A guaranteed Cure for		
<b>RHEUMATIC PAINS</b>		
Of every description.		
Sole Proprietor—J. A. BOCK,		
PERTH and		
BALLARAT,		
VIC.		
<b>BOCK'S</b>	<b>RHEUMATIC</b>	<b>POWDER.</b>
		<b>DOSE.</b>
		A bare half-teaspoonful
		to be taken night and morning in a
		wineglassful of water until cured. The time it
		takes to effect a permanent cure depends entirely on how
		long the patient has been suffering from those pains—ordinary
		cases about 2 or 3 weeks and chronic cases about 1 to 3 months.

The applicant claims that the said trade mark has been in use by him in respect of the article mentioned from before 1st January, 1890.

NAME.

JOHANN ANTON BOCK, of Mount Eden, Auckland, New Zealand, Manufacturer of Herbal Medicines.

No. of class : 3.

Description of goods : Rheumatic powder.

No. of application : 4942.  
Date : 30th September, 1904.

TRADE MARK.



The essential particulars of this trade mark are the device and the words "The Moa"; and any right to the exclusive use of the added matter is disclaimed.

NAME.

WILLIAM ANDREWS and ARTHUR WARD BEAVEN (trading as "Andrews and Beaven"), of South Belt, Christchurch, New Zealand, Engineers.

No. of class : 7.  
Description of goods : Agricultural machinery.

No. of application : 4944.  
Date : 30th September, 1904.

TRADE MARK.



The essential particulars of this trade mark are the devices and the word "Federal"; and any right to the exclusive use of the added matter is disclaimed.

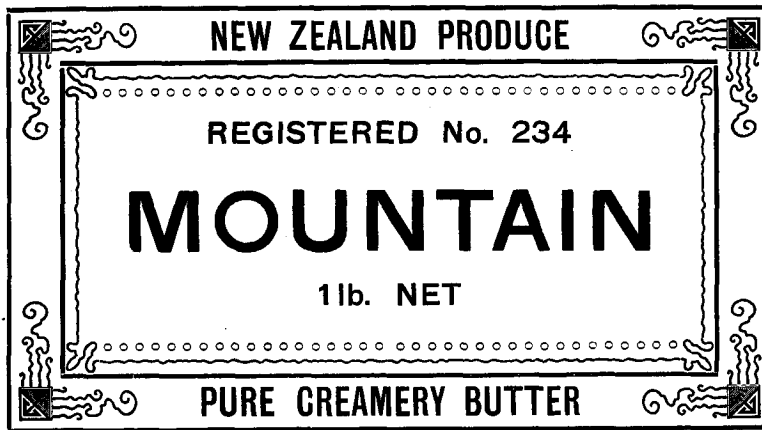
NAME.

WILLIAM ISDALE, trading as the Federal Cycle Company, of Thames Street, Oamaru, New Zealand, Cycle Importers.

No. of class : 22.  
Description of goods : Cycles.

No. of application : 4945.  
Date : 1st October, 1904.

TRADE MARK.



The essential particular of this trade mark is the word "Mountain"; and any right to the exclusive use of any added matter upon the label represented is disclaimed.

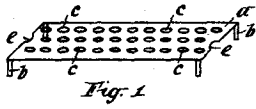
NAME.

THE TE RAU A MOA CO-OPERATIVE DAIRY COMPANY, LIMITED, of Te Rau a Moa, Kawhia County, New Zealand, Butter-manufacturers.

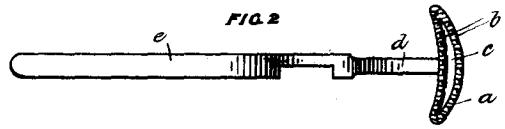
No. of class : 42.  
Description of goods : Butter.

# ILLUSTRATIONS OF INVENTIONS.

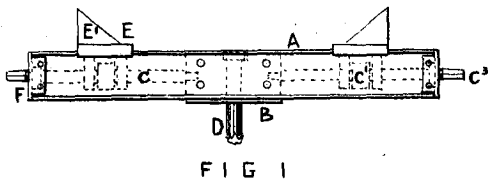
[These illustrations refer to the complete specifications accepted, and advertised in this *Gazette*.]



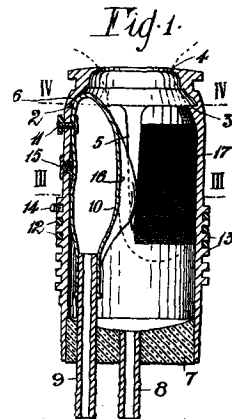
17273  
A. L. and F. J. Lawrence. Egg-carrier.



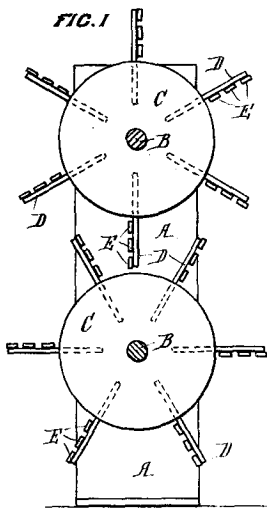
17378  
Heath. Castrating-instrument.



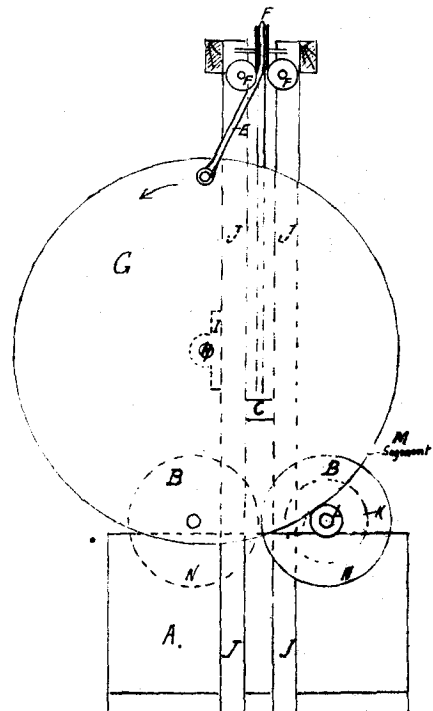
17442  
Daly. Bolster.



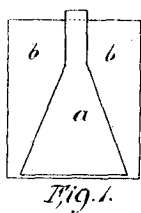
17639  
Gillies. Teat-cup.



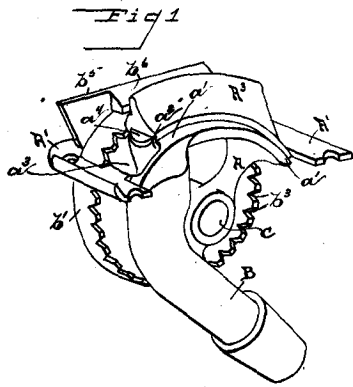
17371  
Lowe. Flax-scatcher.



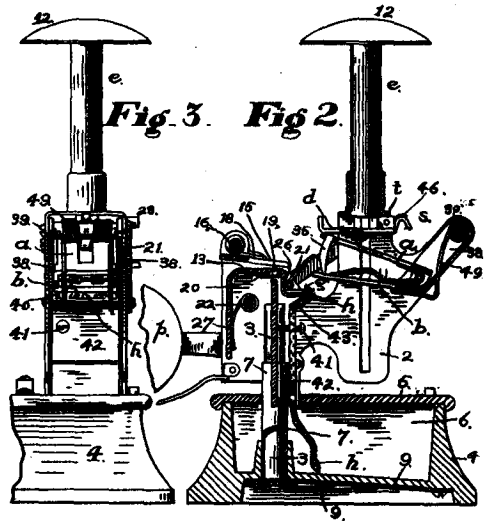
17819  
Seifert. Water-scatcher.



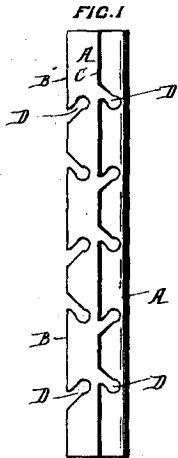
17422  
Schnitzer. Food-warmer.



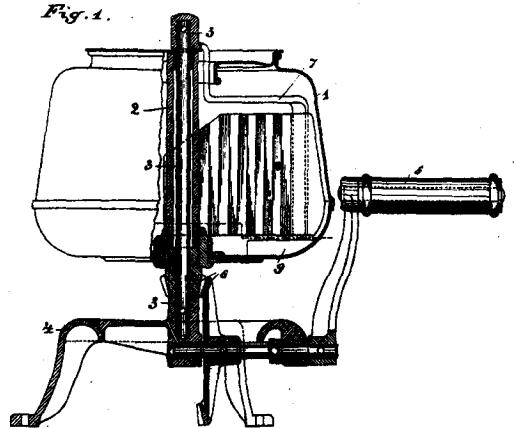
18204  
American Seeding-machine Company. Grain-drill.  
(Packham and Oates.)



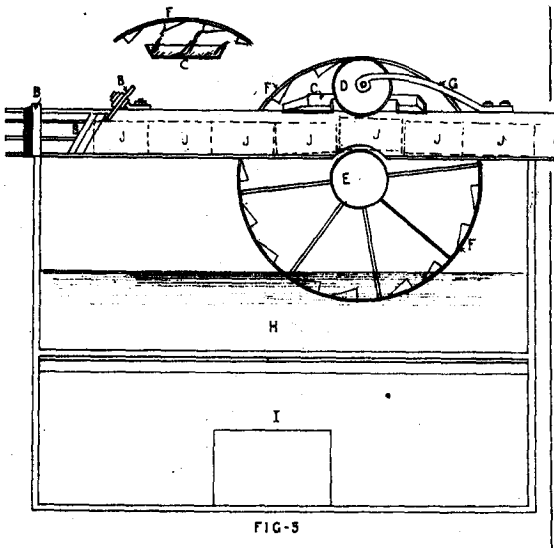
18386  
McDade. Stamp-affixer.



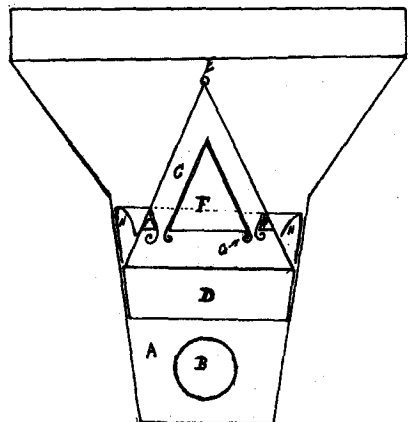
18373  
Allen. Fencing-standard.



18390  
Ekehorn. Churn.



18394  
Eagar. Wood-blocking.



18536  
James. Milk-strainer.

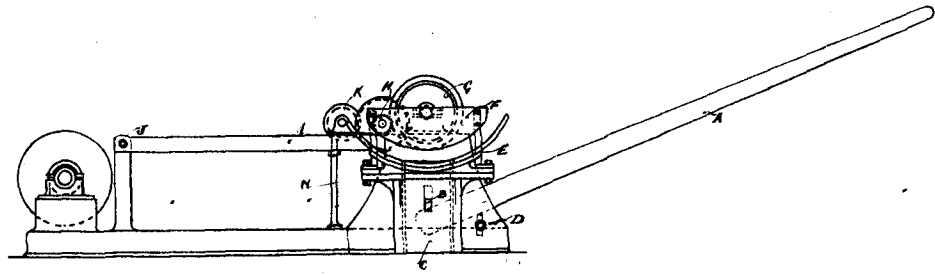
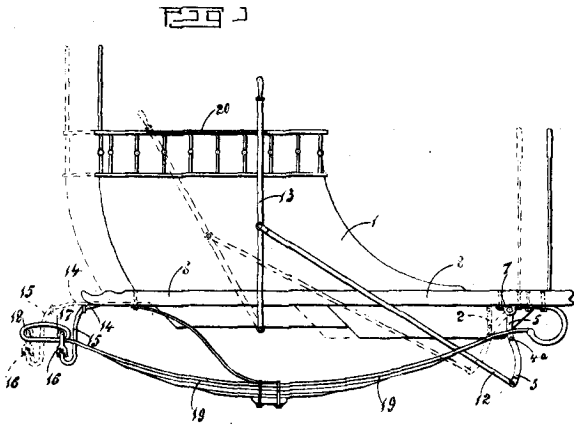


Fig 1

18416  
Cook. Crozier and Chiming Machine.



18423  
Hall and Price. Vehicle-body Slide.

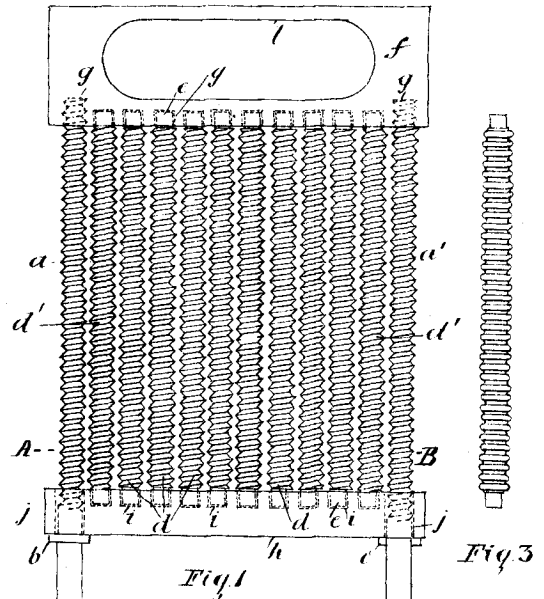


Fig 1

Fig 3

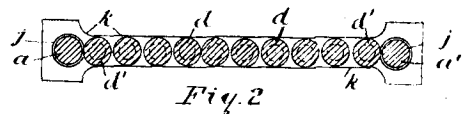
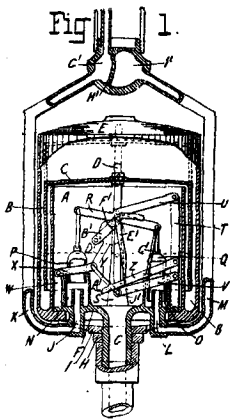


Fig 2

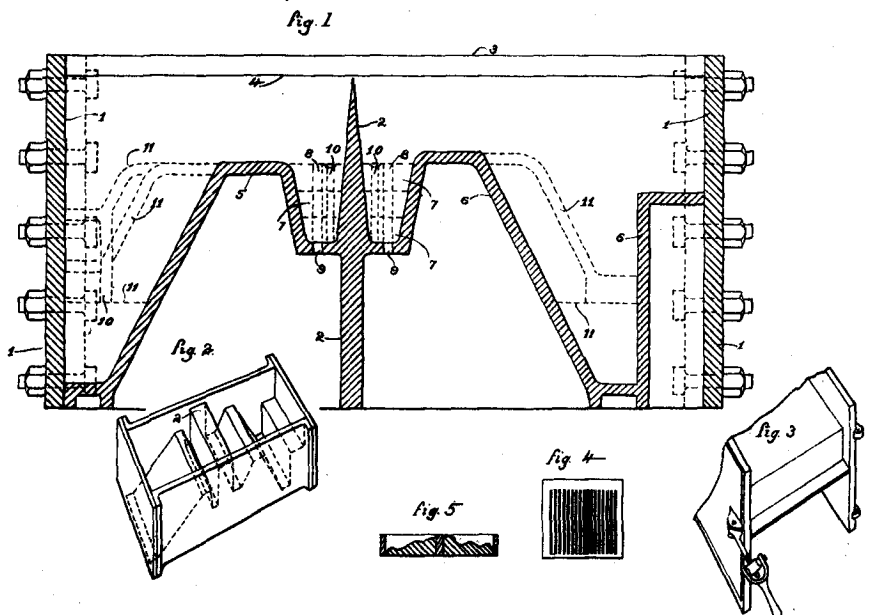
18430  
Taylor. Wash-board.



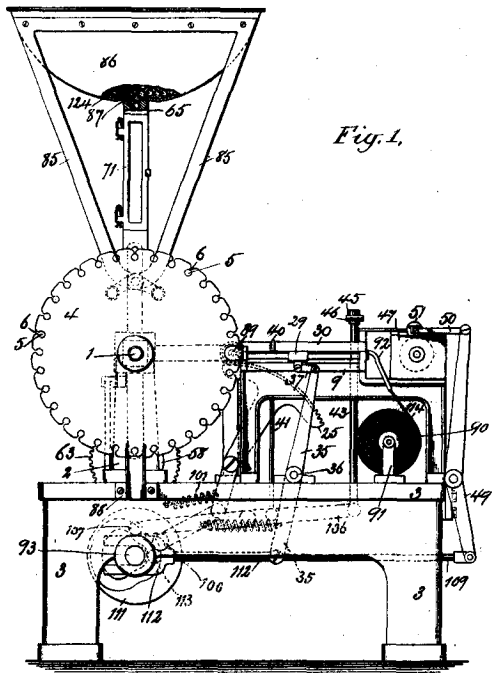
18395  
Burrell. Sole or Heel.



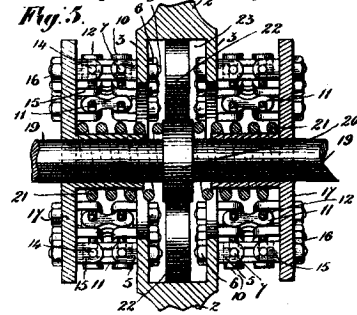
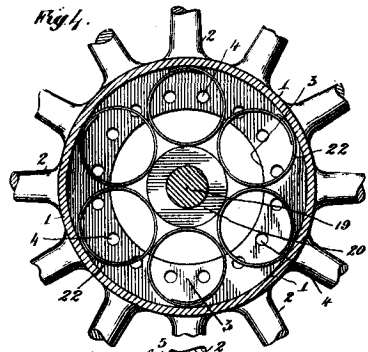
18391  
Olsen and Gates. Gas-regulator.



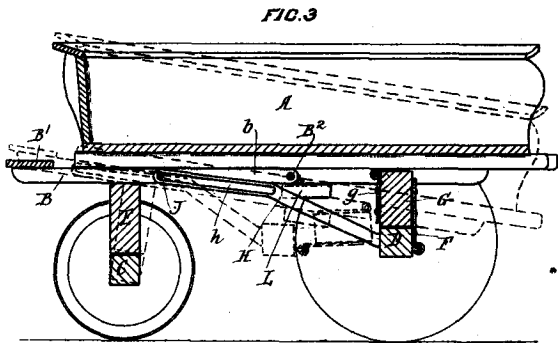
18419  
Ferguson. Building-block Mould.



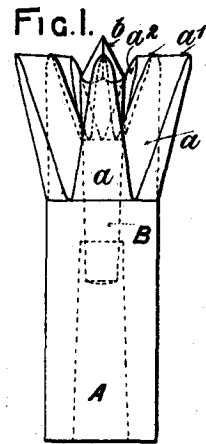
18418  
Standard Mouth-piece Machine Company. Cigarette Mouth-piece.  
(Butler.)



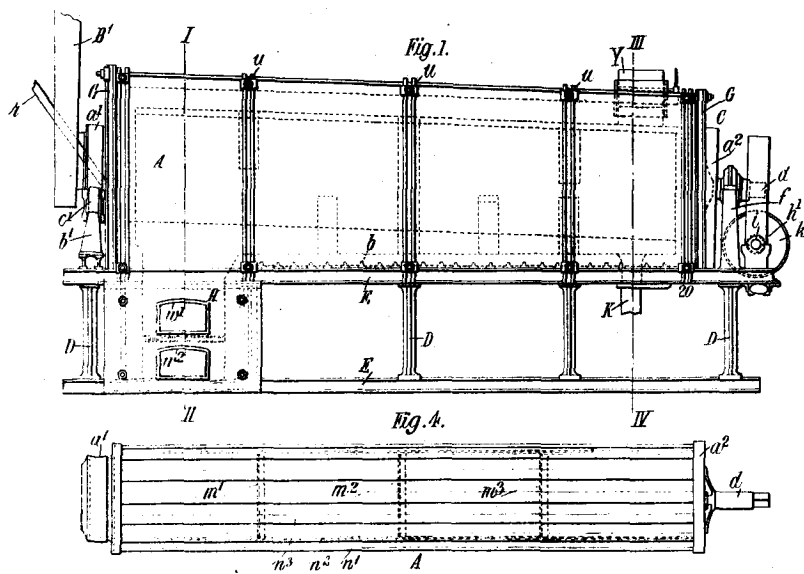
18406  
Hallé. Vehicle-wheel.



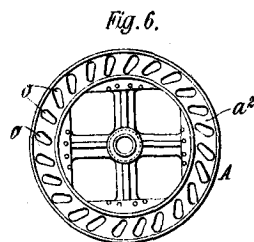
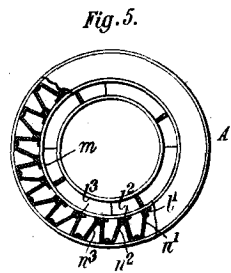
18437  
Burgess. Tipping-wagon. (Hatrack-Thompson.)



18407  
Eisenbeis and Garely. Coal Cutter and Channeller.



18415  
Weinrich. Granular Material Dryer.





No. of application : 4947.  
Date : 3rd October, 1904.

TRADE MARK.



STAG.

NAME.

R. WHILEY, Jun., and F. WHILEY (trading as "Whiley Bros."), both of Ohau, in the Colony of New Zealand, Horse Agents.

No. of class : 2.

Description of goods : An ointment or other similar medicated healing-preparation for veterinary purposes.

No. of application : 4948.  
Date : 3rd October, 1904.

TRADE MARK.

(The mark as shown in preceding notice, No. 4936.)

The essential particular of this trade mark is the combination of devices ; and any right to the exclusive use of the words "The Scottish Brand of Household Linen" is disclaimed.

NAME.

KIRKCALDIE AND STAINS, LIMITED, of Lambton Quay, Wellington, and of Napier, New Zealand.

No. of class : 27.

Description of goods : Linen piece-goods.

No. of application : 4949.  
Date : 4th October, 1904.

TRADE MARK.



The essential particular of this trade mark is the device ; and any right to the exclusive use of the words "Trade mark" is disclaimed.

NAME.

WILLIAM HENRY and GEORGE CUDBY (trading as "The Hutt Valley Timber Company"), of Lower Hutt, Wellington New Zealand, Timber-merchants.

No. of class : 50.

Description of goods : Timber.

F. WALDEGRAVE,  
Registrar.

*Trade Marks registered.*

LIST of Trade Marks registered from the 29th September, 1904, to the 11th October, 1904, inclusive :—

Nil.

F. WALDEGRAVE,  
Registrar.

*Trade Mark Renewal Fees paid.*

FEES paid for the renewal of the undermentioned Trade Marks for fourteen years from the date first mentioned :—

No. 139/116.—30th October, 1904.—E. Dutton, of Dunedin, New Zealand. 28th September, 1904.

No. 155/139.—9th December, 1904.—A. M. Lewis, of Wellington, New Zealand. 7th October, 1904.

No. 156/140.—9th December, 1904.—Thomson and Lewis, of Wellington, New Zealand. 7th October, 1904.

F. WALDEGRAVE,  
Registrar.

*Subsequent Proprietors of Trade Marks registered.*

[NOTE.—The name of the former proprietor is given in brackets. The date is that of registration.]

NO. 84/2111 and 1126/889.—Mackerras and Hazlett, Limited, of Dunedin, New Zealand. [J. Hazlett.] 23rd September, 1904.

No. 3253/2626.—Geo. G. Sandeman, Sons, and Co., Limited, of 20, St. Swithin's Lane, London, England, Wine Merchants. [Geo. G. Sandeman, Sons, and Co.] 7th October, 1904.

F. WALDEGRAVE,  
Registrar.

## Alphabetical List of Applicants for Letters Patent for Quarter ending 30th September, 1904.

THIS list includes also (1) applications lodged prior to but gazetted during the quarter, (2) complete specifications following provisional specifications accepted and gazetted during the quarter. Where the number and date of the *Gazette* are omitted, the application has not yet been accepted.

\* Denotes a provisional specification. † Denotes a prior date under section 106 of "The Patents, Designs, and Trade Marks Act, 1889."

Name, Address, and Invention.	Application.		Gazette.	
	No.	Date.	No.	Date.
Abbott, G. A., Melbourne, Vic. Water-filter .. .. .	18393	1 Sept. ..	77	15 Sept.*
Abell, E. G., and another, Brisbane, Queensland. Butter-box. (S. J. Collins)	18516	24 Sept. ..	..	..
Adams, J., Hamilton, Vic. Nut-wrench .. .. .	18084	22 June ..	66	4 Aug.
Adams, J., and another, Hamilton, Vic. Pipe-wrench .. .. .	18530	27 Sept. ..	..	..
Adiassewich, A., London, Eng. Treating shale-oil, &c. .. .. .	17695	2 March ..	59	7 July.
Alcock, F. A., Melbourne, Vic. (See H. U. Alcock, No. 18517.)				
Alcock, F. A., Melbourne, Vic. Cushion-rail of billiard-table .. .. .	18405	6 Sept. ..	77	15 Sept.*
Alcock, H. U., Melbourne, Vic. Billiard-table. (F. A. Alcock)	18517	24 Sept. ..	..	..
Aldis, M., Auckland, N.Z. Handle and lid-opener for billies, &c. .. .. .	18247	26 July ..	69	18 Aug.*
Alexander, W. M., Bairnsdale, Vic. (See J. H. Smith, No. 18469.)				
Allen, C. E. H., Pukeroa, N.Z. Fencing-dropper .. .. .	18373	25 Aug. ..	83	13 Oct.
Allen, C. E. H., Pukeroa, N.Z. Clothes-peg .. .. .	18374	25 Aug. ..	..	..
Allen, J., Pukeroa, N.Z. Hair-curler. .. .. .	18372	25 Aug. ..	80	29 Sept.
Ambrose, E., and another, Newcastle, N.S.W. Washboard and rubber	18236	28 July ..	69	18 Aug.*
American Seeding-machine Company, Jersey, U.S.A. Grain-drill distributor. (F. R. Packham and G. P. Oates)	18204	20 July ..	83	13 Oct.
Anderson, A., Ngongataha, N.Z. Flax-stripping apparatus .. .. .	18321	13 Aug. ..	77	15 Sept.*
Anderson, G., Christchurch, N.Z. (See The Christchurch Meat Company, Limited, No. 18456.)				
Andrew, R., Melbourne, Vic. Dredge-bucket scourer .. .. .	17612	3 March ..	77	15 Sept.
Andrews, Company, A. H., The, Chicago, U.S.A. (See F. J. Jones, No. 17285.)				
Applegarth, A. L., Dunedin, N.Z. Fuel-economiser and smoke-preventer	17108	13 Oct., 1903 ..	69	18 Aug.
Armstrong, C. C., and another, Dunedin, N.Z. Flashlight apparatus	18257	1 Aug. ..	69	18 Aug.*
Armstrong, C. C., and another, Dunedin, N.Z. Flashlight-powder .. .. .	18258	1 Aug. ..	69	18 Aug.*
Arnberg, P. A. M., Stockholm, Sweden. Centrifugal separator liner .. .. .	17074	7 Oct., 1903 ..	62	21 July.
Atkin, W. H., Auckland, N.Z. Furnace .. .. .	17214	5 Nov., 1903	74	1 Sept.
Austin, G. B. H., Oakleigh, Vic. Rifle .. .. .	18412	6 Sept. ..	83	13 Oct.*
Austin, G. B. H., Oakleigh, Vic. Rifle .. .. .	18453	15 Sept. ..	..	..
Austin, G. B. H., Oakleigh, Vic. Spirit-level for rifle .. .. .	18521	29 Sept. ..	..	..
Ayson, A. R., Glenham, N.Z. Flax-stripper .. .. .	18202	22 July ..	69	18 Aug.*
Ayson, A. R., Glenham, N.Z. Flax-scutchter .. .. .	18248	30 July ..	69	18 Aug.*
Bach, H. H., Auckland, N.Z. Sliding-seat of rowing-boat .. .. .	18149	12 July ..	62	21 July.*
Bailey, G. E., Christchurch, N.Z. Advertising .. .. .	18252	29 July ..	74	1 Sept.*
Baker, H. J., Christchurch, N.Z. Cream-separator .. .. .	18487	23 Sept. ..	83	13 Oct.*
Baker, J., Auckland, N.Z. Raising floating-docks. .. .. .	18211	23 July ..	..	..
Baldwin, E. S., and another, Wellington, N.Z. Making producer and water gas. (Power and Mining Machinery Company—B. Loomis and H. Pettibone.)	17961	26 May ..	74	1 Sept.*
Balfour, E. D. J., and another, Sydney, N.S.W. Electric belt .. .. .	18483	22 Sept. ..	..	..
Banks, L., Shirley, N.Z. Letter-copying cloths .. .. .	18280	5 Aug. ..	74	1 Sept.
Barnard, P. V., and another, Ballarat, Vic. Extracting gold .. .. .	17810	21 April ..	74	1 Sept.
Barton, F. W., and others, Dunedin, N.Z. Turnip-thinning machine. .. .. .	18215	22 July ..	69	18 Aug.*
Basley, G. W., Auckland, N.Z. Fencing-standard. (W. V. Gilbert) .. .. .	18139	5 July ..	66	4 Aug.
Bates, G. T., and another, Kokiri, N.Z. Vehicle-couplings .. .. .	18396	2 Sept. ..	77	15 Sept.*
Bauckham, A. M., Ashhurst, N.Z. Sash retainer and lock .. .. .	17217	10 Nov., 1903	77	15 Sept.
Bavay. (See de Bavay.)				
Beamish, W., Cromwell, N.Z. Gold-saving apparatus .. .. .	18168	13 July ..	66	4 Aug.*
Beck, H., Meiningen, Germany. Electric arc lamp .. .. .	18512	28 Sept. ..	..	..
Bender, L., Launceston, Tas. Butter-cutter .. .. .	18467	21 Sept. ..	..	..
Bennett, J., and another, Prahran, Vic. Drawing beer, &c., from barrels	18272	4 Aug. ..	69	18 Aug.*
Bernays, C. E., Brisbane, Q. Boiler .. .. .	18293	9 Aug. ..	77	15 Sept.
Bernays, C. E., Brisbane, Q. Vehicle-bogie .. .. .	18464	20 Sept. ..	..	..
Berry, G. W., Kensington, Vic. Soldering-machine .. .. .	18132	7 July ..	66	4 Aug.*
Berry, G. W., and another, Melbourne, Vic. Crimping can bodies .. .. .	18479	22 Sept. ..	83	13 Oct.*
Berry, G. W., and another, Melbourne, Vic. Securing ends of tin canisters	18480	22 Sept. ..	83	13 Oct.*
Berry, G. W., and another, Melbourne, Vic. Rotary can-seaming machine	18508	28 Sept. ..	83	13 Oct.*
Berry Patent Can Manufacturing Company, The, Melbourne, Vic. (See G. W. Berry and J. J. Sneesby, Nos. 18479, 18480, 18508.)				
Binney, R. H., Perth, W.A. Grain-dresser .. .. .	18355	23 Aug. ..	77	15 Sept.*
Bishop, D., Hilderthorpe, N.Z. Securing blinds to blind-rollers .. .. .	18118	5 July ..	66	4 Aug.*
Bissaker, C. H., Cootamundra, N.S.W. Acetylene-generator .. .. .	18481	22 Sept. ..	83	13 Oct.*
Blackie, H. G., Auckland, N.Z. Teapot .. .. .	18442	13 Sept. ..	83	13 Oct.*
Blyth, P. A., Winton, N.Z. Truck-brake .. .. .	18219	28 July ..	74	1 Sept.
Bodle, D. W., Manurewa, N.Z. Paper-clip .. .. .	18446	14 Sept. ..	80	29 Sept.*
Bonsall, S. W., New York, U.S.A. Combination hanger .. .. .	18229	28 July ..	74	1 Sept.
Borland, J. W., Yarragon, Vic. Self-locking pin for implement .. .. .	18185	21 July ..	69	18 Aug.*
Borlase, W., Dunedin, N.Z. Cistern .. .. .	18279	2 Aug. ..	69	18 Aug.*
Borlase, W., Dunedin, N.Z. (See J. and T. R. Christie, Nos. 17324 and 17374.)				
Boyd, K., Auckland, N.Z. Fish-hook .. .. .	18288	4 Aug. ..	74	1 Sept.*
Bradley, A. E., and another, Christchurch, N.Z. Pump .. .. .	18102	30 June ..	66	4 Aug.
Bradley, H. G., and another, Christchurch, N.Z. Pump .. .. .	18102	30 June ..	66	4 Aug.
Brass, J. H., and another, Invercargill, N.Z. Candle-holder .. .. .	18295	2 Aug. ..	74	1 Sept.*
Brent, C. D., Cromwell, N.Z. Hairpin .. .. .	16986	11 Sept., 1903	59	7 July.

ALPHABETICAL LIST OF APPLICANTS FOR LETTERS PATENT—continued.

Name, Address, and Invention.	Application.		Gazette.	
	No.	Date.	No.	Date.
Brent, C. D., Cromwell, N.Z. Hairpin .. .. .	18428	3 Sept. ..	80	29 Sept.*
Bridge, A., Stonehenge, Q. Cricket-stumps .. .. .	18485	22 Sept. ..	..	..
Bridger, J., London, Eng. (See The New Inverted Incandescent Gas-lamp Company, Limited, No. 18326.)				
Bristow, C., Christchurch, N.Z. Turnip, rape, and mangold sower ..	17028	26 Sept., 1903	69	18 Aug.
British Westinghouse Electric and Manufacturing Company, Limited, The. (See J. P. Campbell, No. 16865.)				
Brocas, T. N., Taheke, N.Z. Oil and hot air engines .. .. .	18378	27 Aug. ..	77	15 Sept.*
Brown, F. C., Komata, N.Z. Filtering liquids or solutions .. .. .	18349	17 Aug. ..	74	1 Sept.*
Brown, H., and another, Wairoa, N.Z. Cap for wheeled vehicles .. .. .	18113	4 July ..	66	4 Aug.*
Brown, T. H., Wellington, N.Z. Bridle-fastening .. .. .	18444	13 Sept. ..	83	13 Oct.*
Bryant and May, Limited, London, Eng. Match-box filler. (J. P. and C. F. Wright)	18235	28 July ..	74	1 Sept.
Buck, L., Bairnsdale, Vic. Power-transmitter .. .. .	18327	17 Aug. ..	80	29 Sept.
Burgess, A. S., Wanganui, N.Z. Tipping-waggon. (A. Hatrick—W. Thompson)	18437	12 Sept. ..	83	13 Oct.
Burrell, T., Melbourne, Vic. Elastic attachment for heels and soles ..	18395	1 Sept. ..	83	13 Oct.
Burridge, C., and another, Wairoa, N.Z. Cap for wheeled vehicles ..	18113	4 July ..	66	4 Aug.*
Bushell, A. A., Perth, W.A. Bicycle folding-stand .. .. .	18448	15 Sept. ..	80	29 Sept.*
Butcher, T. W., and another, Wellington, N.Z. Kitson lamp light-extinguisher	18126	4 July ..	62	21 July.*
Butler, G. P., New York, U.S.A. (See Standard Mouthpiece Machine Company, No. 18418.)				
Butler, J. A., and another, Balfour, N.Z. Rifle wind-gauge .. .. .	18265	3 Aug. ..	69	18 Aug.*
Cachemaille, E. C., Wellington, N.Z. Paper-wrapper .. .. .	18410	6 Sept. ..	..	..
Callaghan, J., and others, Dunedin, N.Z. Decanter .. .. .	18122	2 July ..	69	18 Aug.*
Cameron, E. A., and others, Invercargill, N.Z. Sash hanger and lock ..	18348	17 Aug. ..	74	1 Sept.*
Campbell, A., Sutton, N.Z. Animal-trap .. .. .	17202	4 Nov., 1903 ..	74	1 Sept.
Campbell, J. P., Wellington, N.Z. Voltage regulator and controller. (The British Westinghouse Electric and Manufacturing Company, Limited.)	16865	27 Aug., 1903 ..	59	7 July.
Campbell, P., Albert Park, Vic. Pipe-moulder .. .. .	18529	27 Sept. ..	..	..
Carter, H., and another, Melbourne, Vic. Parcel-strap. (J. Kinsella)	17198	30 Oct., 1903 ..	74	1 Sept.
Casey, F., and another, Collingwood, Vic. Dredging machinery .. .. .	18463	20 Sept. ..	80	29 Sept.*
Caton, B., Wellington, N.Z. Boot .. .. .	18137	8 July ..	66	4 Aug.*
Chamberlain, W. E., Feilding, N.Z. Fencing-standard .. .. .	18316	15 Aug. ..	74	1 Sept.*
Christchurch Meat Company, Limited, The, Christchurch, N.Z. Securing covers of tins. (G. Anderson.)	18456	16 Sept. ..	..	..
Christenson, A. L., Stockholm, Sweden. Inlet pipe for centrifugal separator bowl	18107	6 July, 1903†	..	..
Christie, J., and another, Dunedin, N.Z. Wire-strainer. (W. Borlase)	17374	12 Dec., 1903 ..	80	29 Sept.
Christie, J., and another, Dunedin, N.Z. Wire-strainer. (W. Borlase)	17324	2 Dec., 1903 ..	80	29 Sept.
Christie, J., Dunedin, N.Z. Making pipe-union joints .. .. .	18532	30 Sept. ..	..	..
Christie, T. R., and another, Dunedin, N.Z. Wire-strainer. (W. Borlase)	17374	12 Dec., 1903 ..	80	29 Sept.
Christie, T. R., and another, Dunedin, N.Z. Wire-strainer. (W. Borlase)	17324	2 Dec., 1903 ..	80	29 Sept.
Clark, A., and another, Melbourne, Vic. Recovering gold .. .. .	18457	14 Sept. ..	80	29 Sept.*
Clark, D., Drummond, N.Z. Forcing-pen .. .. .	18121	1 July ..	66	4 Aug.
Clark, H. S., and another, Onehunga, N.Z. Position-finder .. .. .	18174	19 July ..	66	4 Aug.
Clark, L., Hobsonville, N.Z. Glazing pipes, bricks, &c. .. .. .	17106	13 Oct., 1903 ..	77	15 Sept.
Claussen, J., Weraoia, N.Z. Time-indicator .. .. .	18445	14 Sept. ..	80	29 Sept.*
Cleghorn, R., and another, Elsternwick, Vic. Disc plough .. .. .	18507	28 Sept. ..	83	13 Oct.*
Cochrane, W., Auckland, N.Z. Raising sunken vessels .. .. .	18277	4 Aug. ..	69	18 Aug.*
Cody, P., Riversdale, N.Z. Pneumatic tyre .. .. .	18443	13 Sept. ..	83	13 Oct.*
Cohen, C. J., and others, Rockhampton, Q. Earth-closet .. .. .	18357	23 Aug. ..	77	15 Sept.*
Coker, W. G., Timaru, N.Z. Solution for removing wool from skins ..	18268	1 Sept. ..	77	15 Sept.*
Colegrove, G. H., and another, Wellington, N.Z. Hat, cap .. .. .	18141	9 July ..	66	4 Aug.
Collett, A. W., and others, Dannevirke, N.Z. Log-hauling pulley-block	18148	12 July ..	62	21 July.*
Collett and Edkins, Dannevirke, N.Z. (See A. W. Collett, C. B. and E. M. Edkins, No. 18148.)				
Collins, J., Wellington, N.Z. Chess and draught board .. .. .	18495	26 Sept. ..	83	13 Oct.*
Collins, S. J., Brisbane, Q. (See J. Hancock and E. G. Abell, No. 18516.)				
Colville, F., Waimate, N.Z. Tripping attachment to reaper and binder	18245	26 July ..	69	18 Aug.*
Connelly, W. H., Tologa Bay, N.Z. Securing rowels to spurs .. .. .	18384	31 Aug. ..	77	15 Sept.*
Connelly, W. H., Tologa Bay, N.Z. Spur .. .. .	18385	31 Aug. ..	77	15 Sept.*
Conolly, W. P., Melbourne, Vic. Safety appliance for elevator shafts ..	18511	29 Sept. ..	..	..
Cook, G. H., Russell, N.Z. Rifle .. .. .	18161	16 July ..	66	4 Aug.*
Cook, T., Petone, N.Z. Crozing and chiming machine .. .. .	18416	7 Sept. ..	83	13 Oct.
Copley, A. E., and another, Christchurch, N.Z. Extension boot .. .. .	18134	7 July ..	66	4 Aug.*
Coronel, A. S., Waverley, N.S.W. Suspending sashes .. .. .	18183	21 July ..	69	18 Aug.*
Corrick, H., and another, Wellington, N.Z. Hat, cap .. .. .	18141	9 July ..	66	4 Aug.
Cosslett, B., Auckland, N.Z. Building appliance .. .. .	18212	22 July ..	69	18 Aug.*
Cosslett, R., Auckland, N.Z. Twist-moulding machine .. .. .	18433	5 Sept. ..	80	29 Sept.*
Cotton, F., Hornsby, N.S.W. Gas-generator .. .. .	18166	19 July ..	74	1 Sept.
Coulter, E. P., Sydney, N.S.W. Saving carbonic-acid gas .. .. .	18449	15 Sept. ..	80	29 Sept.*
Craveri, J., Buenos Aires, Argentine R. Preserving meat .. .. .	18322	17 Aug. ..	..	..
Crook, A., Christchurch, N.Z. Automatic fertiliser-press .. .. .	18266	1 Aug. ..	69	18 Aug.*
Crosland, T., St. Leonard's, N.Z. Portable washing-boiler .. .. .	18179	15 July ..	69	18 Aug.*
Cross, C. A., and another, Hamilton, Vic. Pipe-wrench .. .. .	18530	27 Sept. ..	..	..
Currie, S. D., Te Aroha, N.Z. Converting kerosene tins into buckets ..	18142	9 July ..	66	4 Aug.*
Curwood, A., and others, Bluff, N.Z. Sash hanger and lock .. .. .	18348	17 Aug. ..	74	1 Sept.*
Cuthbert, E. M., Christchurch, N.Z. Sink-guard .. .. .	18460	16 Sept. ..	83	13 Oct.*

## ALPHABETICAL LIST OF APPLICANTS FOR LETTERS PATENT—continued.

Name, Address, and Invention.	Application.		Gazette.	
	No.	Date.	No.	Date.
Daily, J. J., Christchurch, N.Z. Vulcanised rubber tire .. ..	18336	18 Aug. ..	77	15 Sept.*
Daniell, H., Mossman, N.S.W. (See E. M. Perdriau, No. 17161.)				
Danks, W., Wellington, N.Z. Cement for jointing sanitary pipes ..	18117	5 July ..	66	4 Aug.
Davey, W. H., Timaru, N.Z. Cream-separator .. ..	18523	29 Sept. ..	83	13 Oct.*
Davidson, T. H., and another, Dunedin, N.Z. Ratchet apparatus ..	18243	25 July ..	74	1 Sept.*
Davies, J., Auckland, N.Z. Utilising the flow of tides, &c. ..	18156	14 July ..	66	4 Aug.*
Davies, J., Auckland, N.Z. Waggon .. ..	18484	22 Sept. ..	83	13 Oct.*
Dawson, J. G., Woodbury, N.Z. Egg-carrier .. ..	18382	27 Aug. ..	77	15 Sept.*
De Bavay, A. J. F., Kew, Vic. Separating parts of the constituents of ores	18226	28 July ..	69	18 Aug.*
De Bavay, A. J. F., Kew, Vic. Separating parts of the constituents of ores	18227	28 July ..	69	18 Aug.*
De Bavay, A. J. F., Kew, Vic. Separating zinc blende from ores ..	18228	28 July ..	69	18 Aug.*
De la Haye, P. J., New Plymouth, N.Z. Bicycle-stand .. ..	18108	28 June ..	66	4 Aug.
Dennes, A. C., and another, Auckland, N.Z. Supplying needles to gramophone	18438	12 Sept. ..	80	29 Sept.*
Dennes, H. M., and another, Auckland, N.Z. Supplying needles to gramophone	18438	12 Sept. ..	80	29 Sept.*
Denton, G. H., Denver, U.S.A. (See J. A. Ferguson, No. 18420.)				
Deutsch, I., Montreal, Canada. (See Electric and Train Lighting Syndicate, Limited, Nos. 17951, 17952, and 17953.)				
Devine, P. J., Yarragon, Vic. Piggery .. ..	18308	8 Aug. ..	74	1 Sept.*
Divine, A., New Plymouth, N.Z. Advertising exhibitor and file ..	17964	25 May ..	66	4 Aug.
Dodge, E. K., and another, Hornby, N.Z. Operating hay-presses ..	18123	4 July ..	62	21 July*
Dodge, T. H., and another, Hornby, N.Z. Operating hay-presses ..	18123	4 July ..	62	21 July*
Don, E., Dunedin, N.Z. Composition for boot-finishing .. ..	18218	23 July ..	69	18 Aug.*
Douglas, H. M., Wellington, N.Z. Loose-leaf account-book ..	18338	19 Aug. ..	74	1 Sept.*
Dovalosky, F., Invercargill, N.Z. Pins .. ..	18402	29 Aug. ..	..	..
Dowling, H., and another, Sydney, N.S.W. Electric belt .. ..	18433	22 Sept. ..	..	..
Dowling, T. F., Hawera, N.Z. Actuating fire-alarm and other bells ..	17134	22 Oct., 1903..	69	18 Aug.
Duffin, H., Auckland, N.Z. Hose or pipe coupling .. ..	16897	1 Sept., 1903	62	21 July.
Duncan, Limited, P. and D., Christchurch, N.Z. Cultivator .. ..	17256	16 Nov., 1903..	80	29 Sept.
Duncan, Limited, P. and D., Christchurch, N.Z. Vehicle road wheel..	17257	16 Nov., 1903..	80	29 Sept.
Duncan, Limited, P. and D., Christchurch, N.Z. Dumping and spreading waggon. (J. Keir)	18042	14 June ..	80	29 Sept.
Duncan, Limited, P. and D., Christchurch, N.Z. Tip cart and dray. (J. Keir)	18124	4 July ..	62	21 July.*
Duncan, Limited, P. and D., Christchurch, N.Z. Seed-sower. (J. Keir)	18282	4 Aug. ..	69	18 Aug.*
Dunn, B. F., Auckland, N.Z. Tightening wire mattresses .. ..	18150	12 July ..	62	21 July.*
Dunn, D., Oamaru, N.Z. Wheel-jack .. ..	18061	21 June ..	69	18 Aug.
Dunstan, J., and another, Auckland, N.Z. Advertising .. ..	18109	29 June ..	69	18 Aug.*
Dyer, E. W. H., Dunedin, N.Z. Lidded receptacle .. ..	18309	8 Aug. ..	74	1 Sept.*
Eagar, E., Glebe Point, N.S.W. Laying wood blocks .. ..	18394	1 Sept. ..	83	13 Oct.
Edkins, C. B., and others, Dannevirke, N.Z. Log-hauling pulley-block	18148	12 July ..	62	21 July.*
Edkins, E. M., and others, Dannevirke, N.Z. Log-hauling pulley-block	18148	12 July ..	62	21 July.*
Edmond, I., Mauriceville, N.Z. Rat-trap .. ..	18155	14 July ..	66	4 Aug.*
Edwards, E., Christchurch, N.Z. Harness-saddle .. ..	17093	9 Oct., 1903..	66	4 Aug.
Eisenbeis, F., and another, Saarbrucken, Germany. Coal cutter and channeller.	18407	6 Sept. ..	83	13 Oct.
Ekehorn, S. A., Sodertelge, Sweden. Rotating-churn .. ..	18390	1 Sept. ..	83	13 Oct.
Electric and Train Lighting Syndicate, Limited, Montreal, Canada. Dynamo. (I. Deutsch)	17951	25 May ..	66	4 Aug.
Electric and Train Lighting Syndicate, Limited, Montreal, Canada. Brush-holder for electric machine. (I. Deutsch)	17952	25 May ..	66	4 Aug.
Electric and Train Lighting Syndicate, Limited, Montreal, Canada. Controlling voltage from electric generator. (I. Deutsch)	17953	25 May ..	66	4 Aug.
Ellery, F. J., Raetihi, N.Z. Cow leg-roper .. ..	17203	5 Nov., 1903..	74	1 Sept.
Fairweather, J., and others, Blenheim, N.Z. Flax-stripper .. ..	18353	20 Aug. ..	80	29 Sept.*
Fairweather, W., jun., and others, Blenheim, N.Z. Flax-stripper ..	18353	20 Aug. ..	80	29 Sept.*
Fairweather, W., sen., and others, Blenheim, N.Z. Flax-stripper ..	18353	20 Aug. ..	80	29 Sept.*
Falvey, T., Wellington, N.Z. Steam turbine .. ..	18399	3 Sept. ..	77	15 Sept.*
Ferguson, J. A., Denver, U.S.A. Building-block mould .. ..	18419	7 Sept. ..	83	13 Oct.
Ferguson, J. A., Denver, U.S.A. Press. (G. H. Denton) .. ..	18420	7 Sept. ..	..	..
Ferguson, J. A., Denver, U.S.A. Building blocks and walls. (F. E. Kidder.)	18421	7 Sept. ..	..	..
Ferrier, W., Timaru, N.Z. Candlestick .. ..	17232	12 Nov., 1903..	66	4 Aug.
Field, F. R., Aramoho, N.Z. Reclaiming land and altering river-bed..	18312	12 Aug. ..	77	15 Sept.*
Field, H. C., Aramoho, N.Z. Fire-resisting building-material ..	18431	8 Sept. ..	80	29 Sept.*
Fisher, A. J., New Plymouth, N.Z. Paint .. ..	18256	1 Aug. ..	80	29 Sept.
Foster, G., Auckland, N.Z. Slug-destroyer .. ..	17307	25 Nov., 1903..	74	1 Sept.
Foster, T., and another, Dunedin, N.Z. Binder for mercantile papers, &c.	18206	21 July ..	69	18 Aug.*
Foster, T., and another, Dunedin, N.Z. Paper-binder .. ..	18370	23 Aug. ..	77	15 Sept.*
Frame, L., Oamaru, N.Z. Washing-boiler .. ..	17278	19 Nov., 1903..	69	18 Aug.
French, A. G., Auckland, N.Z. Obtaining ammonium chloride ..	18493	21 Sept. ..	83	13 Oct.*
French, T., Leonora, W.A. Ratchet for ore-feeder .. ..	18365	25 Aug. ..	80	29 Sept.*
Friezer, J., and another, Northcote, Vic. Drawing beer, &c., from barrels	18272	4 Aug. ..	69	18 Aug.*
Gardiner, H. J., Christchurch, N.Z. Bicycle-carrying attachment ..	18488	23 Sept. ..	83	13 Oct.*
Garely, F., and another, Saarbrucken, Ger. Coal cutter and channeller	18407	6 Sept. ..	83	13 Oct.
Garnham, R., Wellington, N.Z. Water-cistern valve .. ..	18129	6 July ..	62	21 July.*
Gasmier, F. W., Petersburg, S.A. Railway brake .. ..	18501	28 Sept. ..	..	..
Gates, W., and another, Parramatta, N.S.W. Gas-burner regulator ..	18391	1 Sept. ..	83	13 Oct.

ALPHABETICAL LIST OF APPLICANTS FOR LETTERS PATENT—continued.

Name, Address, and Invention.	Application.		Gazette.	
	No.	Date.	No.	Date.
Gay, J. H., Oamaru, N.Z. Window .. .. .	17336	3 Dec., 1903	74	1 Sept.
Geddes, J., Drummond, N.Z. Flax-scatcher .. .. .	18335	19 Aug. ..	74	1 Sept.*
Gemeinhardt, O., Footscray, Vic. Measuring and wringing skins .. .. .	18505	28 Sept. ..	..	..
Gibb, W., and another, Oamaru, N.Z. Breeching-strap hook .. .. .	18253	29 July ..	74	1 Sept.*
Gilbert, T. J., and another, Brunswick, Vic. Dressing surfaces of rails .. .. .	18537	30 Sept. ..	..	..
Gilbert, W. V., Port Elizabeth, South Africa. (See G. W. Basley, No. 18133.)				
Gilsenan, A. J., Bairnsdale, Vic. Acetylene-generator .. .. .	18186	21 July ..	69	18 Aug.*
Gleeson, J. J., and another, Tikitapu, N.Z. Separating dirt from milk .. .. .	18404	5 Sept. ..	77	15 Sept.*
Goddu, G., Winchester, U.S.A. (See United Shoe Machinery Company, Nos. 18363, 17380.)				
Goode, G. W., and others, South Godstone, Eng. Coal-dust binding-composition.	18238	28 July ..	74	1 Sept.
Goodman, W., Sydney, N.S.W. Postal reply cards .. .. .	18270	4 Aug. ..	77	15 Sept.
Graham, C. E., Boston, U.S.A. (See United Shoe Machinery Company, No. 18224.)				
Grave, W. G., Oamaru, N.Z. Securing animal-covers .. .. .	18101	30 June ..	66	4 Aug.
Gray, A., Canterbury, N.S.W. Race-starting machine .. .. .	18329	17 Aug. ..	74	1 Sept.*
Gray, B., Okato, N.Z. Noxious weeds destroying-composition .. .. .	18319	13 Aug. ..	74	1 Sept.*
Gray, H., and another, Wellington, N.Z. Partitions for rooms .. .. .	18389	1 Sept. ..	77	15 Sept.*
Gray, J., Dunedin, N.Z. Fertiliser-drill conductor .. .. .	18427	3 Sept. ..	80	29 Sept.*
Gray, J., Dunedin, N.Z. Mangold-sower .. .. .	18496	26 Sept. ..	83	13 Oct.*
Gray, W., Whakapara, N.Z. Cycle handle-bar .. .. .	18116	5 July ..	66	4 Aug.
Gray, W., Whakapara, N.Z. Combination tool .. .. .	18094	28 June ..	69	18 Aug.
Green, E., Masterton, N.Z. Bird-trap .. .. .	18359	24 Aug. ..	77	15 Sept.*
Grieve, A. P., Lower Hutt, N.Z. Cutting-out press .. .. .	18340	19 Aug. ..	74	1 Sept.*
Griffiths, H., Fitzroy, Vic. Balmoral boots .. .. .	18151	14 July ..	66	4 Aug.
Grimstone, C., Miramar, N.Z. Window-stop .. .. .	18173	19 July ..	..	..
Grocke, F. W., South Melbourne, Vic. Fire-tongs .. .. .	18305	11 Aug. ..	74	1 Sept.*
Grundy, A. O., and another, Onehunga, N.Z. Clinch for bucket-handle .. .. .	18441	13 Sept. ..	83	13 Oct.*
Grundy, T., Waiwera, N.Z. Propeller-blade .. .. .	18175	16 July ..	66	4 Aug.*
Grundy, W. J., and another, Onehunga, N.Z. Clinch for bucket-handle .. .. .	18441	13 Sept. ..	83	13 Oct.*
Guess, E., Clapham, Eng. Cash-checking machine .. .. .	18325	17 Aug. ..	80	29 Sept.
Gunn, J. St. C., Kaikoura, N.Z. Intercepting and rejecting contaminated rain water	18381	31 Aug. ..	77	15 Sept.*
Gutensohn, A., London, Eng. Recovering metals .. .. .	18232	28 July ..	69	18 Aug.*
Hadaway, J. B., Brockton, U.S.A. Channel-flap layer .. .. .	17315	2 Dec., 1903..	74	1 Sept.
Haenke, M. W., Ipswich, Q. Gas lighter and extinguisher .. .. .	18114	4 July ..	66	4 Aug.
Hair, J., Oamaru, N.Z. Racehorse plate .. .. .	17140	24 Oct., 1903..	77	15 Sept.
Hall, C. E. F., and another, Palmerston North, N.Z. Body for two-wheeled vehicle	18423	7 Sept. ..	83	13 Oct.
Hall, G., and another, Lepperton, N.Z. Fencing-post .. .. .	18331	15 Aug. ..	..	..
Hall, J. H. C., Geelong West, Vic. Hand-power jack .. .. .	18343	17 Aug. ..	74	1 Sept.*
Hallé, C. R. S. J., London, Eng. Vehicle-wheel .. .. .	18406	6 Sept. ..	83	13 Oct.
Hamilton Manufacturing Company, The, Columbus, U.S.A. Locomotive car-puller. (W. E. Hamilton)	18301	11 Aug. ..	77	15 Sept.
Hamilton Manufacturing Company, The, Columbus, U.S.A. Loading-machine (W. E. Hamilton)	18302	11 Aug. ..	77	15 Sept.
Hamilton, W. E., Zanesville, U.S.A. (See The Hamilton Manufacturing Company, Nos. 18301 and 18302.)				
Hamilton, W. E., Zanesville, U.S.A. Mining-machine .. .. .	18504	28 Sept. ..	83	13 Oct.*
Hamlin, E. A. G., Dannevirke, N.Z. Book-cover .. .. .	18426	8 Sept. ..	..	..
Hancock, J., and another, Brisbane, Q. Butter-box. (S. J. Collins) .. .. .	18516	24 Sept. ..	..	..
Hannaford, E. E., Dunedin, N.Z. Door-lock .. .. .	18468	21 Sept. ..	80	29 Sept.*
Hannay, J. B., Dumbarton, North Britain. Anti-fouling composition for ships	18036	15 June ..	62	21 July
Hare, P. R., and another, Bromley, Eng. Fermentation of liquids .. .. .	17795	4 May, 1903†	69	18 Aug.
Harrison, J., and others, Half-Moon Bay, N.Z. Sash hanger and lock .. .. .	18348	17 Aug. ..	74	1 Sept.*
Hartnett, J., and another, Balwyn, Vic. Cow-milking apparatus .. .. .	18303	11 Aug. ..	..	..
Harvey, A., French Island, Vic. Button-attachment for clothes .. .. .	18304	11 Aug. ..	74	1 Sept.*
Harwood, W. F., and another, Auckland, N.Z. Spring-tip tug .. .. .	18320	16 Aug. ..	74	1 Sept.*
Hatrack, A., Wanganui, N.Z. (See A. S. Burgess, No. 18437.)				
Haughton, R. S., Wellington, N.Z. Bottle-filling machine .. .. .	18133	7 July ..	66	4 Aug.*
Haye. (See de la Haye.)				
Hement, T. C., Christchurch, N.Z. Pipe manufacturing .. .. .	17388	17 Dec., 1903..	80	29 Sept.
Hement, T. C., Christchurch, N.Z. Ridging .. .. .	18499	26 Sept. ..	83	13 Oct.*
Henry, F., Waikivi, N.Z. Flax-dressing apparatus .. .. .	18383	31 Aug. ..	77	15 Sept.*
Hercus, J., and another, Dunedin, N.Z. Coal-saver and draught-regulator .. .. .	18198	18 July ..	69	18 Aug.
Hercus, J., and others, Dunedin, N.Z. Turnip-thinning machine .. .. .	18215	22 July ..	69	18 Aug.*
Heskett, T. J., and another, Brunswick, Vic. Ore-treatment apparatus .. .. .	17425	30 Dec., 1903..	77	15 Sept.
Hewitt, J. G. L., Dunedin, N.Z. Weather filling for roof. (A. Wilson)	17017	19 Sept., 1903	66	4 Aug.
Hickman, J., Christchurch, N.Z. Alterations to Welsbach gas-burner .. .. .	18119	5 July ..	69	18 Aug.*
Hickman, J. H., Christchurch, N.Z. Castor .. .. .	18354	22 Aug. ..	..	..
Hickman, J. H., Christchurch, N.Z. Mitring-machine .. .. .	18375	26 Aug. ..	77	15 Sept.*
Hicks, T. J. A., and another, Auckland, N.Z. Wire-woven mattress .. .. .	18454	15 Sept. ..	..	..
Hinton, J. C., Arncliffe, N.S.W. Controlling spread of vehicle-wheels .. .. .	18362	25 Aug. ..	80	29 Sept.
Hitchcock, W., and another, Outram, N.Z. Ratchet apparatus .. .. .	18243	25 July ..	74	1 Sept.*
Hoal, E., and another, Liverpool, Eng. (See Worsley-Hoal Gold-extracting Syndicate, Limited, No. 18225.)				
Hogan, M., Wanganui, N.Z. Bicycle-stand .. .. .	17791	15 April ..	69	18 Aug.*
Holms, jun., J., Waimahaka, N.Z. Clasp for spreaders .. .. .	18452	12 Sept. ..	80	29 Sept.*
Horrocks, L. B., Wellington, N.Z. Bending-machine .. .. .	17303	27 Nov., 1903..	80	29 Sept.

ALPHABETICAL LIST OF APPLICANTS FOR LETTERS PATENT—*continued.*

Name, Address, and Invention.	Application.		Gazette.	
	No.	Date.	No.	Date.
Hosier, A. J., and others, Chaddington, Eng. Straining liquids ..	18128	6 July ..	..	..
Hoskins, W., La Grange, U.S.A. Treating fatty wood ..	18500	28 Sept. ..	..	..
Hubbard, E. W., and another, Melbourne, Vic. Dredging machinery ..	18463	20 Sept. ..	80	29 Sept.*
Huddleston, F. F. C., Nelson, N.Z. Heating apparatus ..	18203	23 July ..	69	18 Aug.*
Hughes, W. E., Hawera, N.Z. Hose-coupling ..	16989	17 Sept., 1903..	66	4 Aug.
Hughes, W. E., Wellington, N.Z. Forming water tables. (J. B. Jackson)	17019	24 Sept., 1903..	59	7 July
Hughes, W. E., Wellington, N.Z. Draw-off tap. (W. T. Nuttall) ..	16873	27 Aug., 1903 ..	66	4 Aug.
Hull, A., Kaihu, N.Z. Leak-repairer ..	17252	17 Nov., 1903 ..	77	15 Sept.
Humphries, G. E., Wellington, N.Z. Removable sash ..	18237	28 July ..	77	15 Sept.
Hunter, J. T., Wellington, N.Z. Motor-controller. (G. Laird and J. P. Todd)	18290	9 Aug. ..	77	15 Sept.
Hutchinson, G., Wellington, N.Z. Milking machinery ..	18165	16 July ..	66	4 Aug.*
Hutton, G. B., and another, Auckland, N.Z. Fire and hearth screen ..	18187	18 July ..	..	..
Hyde, F. R., Ashburton, N.Z. Acetylene-generator ..	18461	16 Sept. ..	83	13 Oct.*
Ibbetson, T. H., Gore, N.Z. Pump ..	18263	3 Aug. ..	74	1 Sept.
Imbert, A. H., Grand-Montrouge, France. Extracting sulphides from their ores	18112	30 June ..	66	4 Aug.
Jackson, A. G., Brisbane, Q. Balance window-sash ..	18062	16 June ..	66	4 Aug.*
Jackson, J. B., Gisborne, N.Z. (See W. E. Hughes, No. 17019.)				
Jaggers, J. A., Parua Bay, N.Z. Rowlock ..	17253	17 Nov., 1903 ..	74	1 Sept.
James, R. E., Christchurch, N.Z. Milk-strainer ..	18536	2 Aug. ..	83	13 Oct.
James, W. J., Wanganui, N.Z. Trough ..	17241	16 Nov., 1903 ..	74	1 Sept.
Jameson, S. W., Christchurch, N.Z. Match-striker for pipe ..	18471	20 Sept. ..	83	13 Oct.*
Jenkins, C. V., Lower Hutt, N.Z. Collar-stud ..	18201	22 July ..	69	18 Aug.*
Jerger, H., and another, Burnie, Tas. Feeding-funnel ..	17873	2 May ..	66	4 Aug.*
Johanson, C., Dillmanstown, N.Z. Potato-planter ..	18513	27 Sept. ..	83	13 Oct.*
Johanson, C. G., Christchurch, N.Z. Grubbing, transplanting, and hilling-up tool	18138	7 July ..	66	4 Aug.*
Johnson, G., and another, Bromley, Eng. Fermentation of liquids ..	17795	4 May, 1903† ..	69	18 Aug.
Johnson, H. E., Dunedin, N.Z. Crutches ..	18489	20 Sept. ..	83	13 Oct.*
Jones, A. I., Motupiko, N.Z. Fibre-catcher ..	18162	16 July ..	66	4 Aug.*
Jones, F. J., Wellington, N.Z. Timber-drying kiln. (The A. H. Andrews Company—H. J. Morton)	17285	28 Nov., 1903..	74	1 Sept.
Jones, F. J., Wellington, N.Z. Dust, rain, &c., excluder for door ..	18213	26 July ..	74	1 Sept.
Jones, G. S., Oamaru, N.Z. Mailing-wrapper for photographs, &c. ..	17847	26 April ..	69	18 Aug.*
Joyce, A., and another, Burnie, Tasmania. Feeding-funnel ..	17873	2 May ..	66	4 Aug.*
Keir, J., Sydenham, N.Z. (See P. and D. Duncan, Limited, Nos. 18124, 18282, 18042.)				
Kelly, P. G., Auckland, N.Z. Propeller ..	18250	28 July ..	69	18 Aug.*
Kelly, W., and others, Chaddington, Eng. Straining liquids ..	18128	6 July ..	..	..
Kenyon, E. F. B., Brighton, Eng. Potato-peeler ..	18234	28 July ..	69	18 Aug.*
Kern, F. A., Rochester, U.S.A. (See United Shoe Machinery Company, No. 18392.)				
Kettle, F., Dunedin, N.Z. (See A. J. Park, No. 18294.)				
Kidder, F. E., Denver, U.S.A. (See J. A. Ferguson, No. 18421.)				
Kilborn, A., Bondi, N.S.W. Milking-machine ..	18324	17 Aug. ..	77	15 Sept.*
King, W., Timaru, N.Z. Bird-trap ..	18205	23 July ..	74	1 Sept.
Kinsella, J., Camberwell, Vic. (See H. Carter and R. T. Paterson, No. 17198.)				
Kirkby, E. H. Melbourne, Vic. Fire-alarm ..	18476	22 Sept. ..	83	13 Oct.*
Kirkwood, J. C. P., Wellington, N.Z. Electric arc-lamp ..	18377	29 Aug. ..	77	15 Sept.*
Kitchen, D., Feilding, N.Z. Bridle-fastening ..	18422	7 Sept. ..	77	15 Sept.*
Knutzen, H. P., Auckland, N.Z. Smoke-killing appliance ..	18190	21 July ..	69	18 Aug.*
Koch, G., New York, U.S.A. Shaving-brush ..	18478	22 Sept. ..	..	..
Laird, G., and another, Ashton-on-Mersey, Eng. (See J. T. Hunter, No. 18290.)				
Lamont, C. E., Oamaru, N.Z. Nasal inhaler ..	18351	19 Aug. ..	77	15 Sept.*
Land, A. G., Christchurch, N.Z. Vehicle-seat ..	18465	20 Sept. ..	80	29 Sept.*
Lange, A. J. H., Christchurch, N.Z. Washing-board ..	18491	22 Sept. ..	83	13 Oct.*
Langford, A. E., Melbourne, Victoria. Calliper and divider. (G. C. Smith.)	18510	29 Sept. ..	83	13 Oct.*
Lanigan, P., Auckland, N.Z. Lifting and bunching venetian blinds ..	18269	1 Aug. ..	69	18 Aug.*
Lanigan, P., Auckland, N.Z. Digging kauri-gum ..	18318	13 Aug. ..	74	1 Sept.*
Lawrenz, E., and another, Baltimore, U.S.A. (See E. Waters, jun., No. 17574.)				
Leach, G., Melbourne, Vic. Cream-separator. ..	17159	29 Oct., 1903..	74	1 Sept.
Leach, J. D., Dargaville, N.Z. Venetian blind ..	17122	20 Oct., 1903..	69	18 Aug.
Lee, F., and another, Lower Hutt, N.Z. Sash-bar for greenhouses, &c.	18262	3 Aug. ..	69	18 Aug.*
Lee, F. W., Woodend, Vic. Potato-digger ..	18184	21 July ..	69	18 Aug.*
Leek, H., Auckland, N.Z. Tram-seat ..	18285	3 Aug. ..	74	1 Sept.
Leslie Walker Instantaneous Fire-detector and Fire-indicator Company, Limited, The, London, Eng. Temperature alarm. (C. L. Walker)	18231	28 July ..	74	1 Sept.
Lindsay, R. N. R., Auckland, N.Z. Dehorning cattle ..	18432	8 Sept. ..	80	29 Sept.*
Logan, R., jun., and another, Auckland, N.Z. Position-finder ..	18174	19 July ..	66	4 Aug.
Loomis, B., and another, Hartford, U.S.A. (See E. S. Baldwin and H. H. Rayward, No. 17961.)				
Love, J. H., Auckland, N.Z. Saddle ..	18286	3 Aug. ..	69	18 Aug.*
Lowe, C. E., Motueka, N.Z. Sulphurising fruit ..	16996	18 Sept., 1903 ..	66	4 Aug.
Lowthen, W. H., and another, Brisbane, Q. Signalling from exchange to totalisator	18210	26 July ..	..	..

ALPHABETICAL LIST OF APPLICANTS FOR LETTERS PATENT—continued.

Name, Address, and Invention.	Application.		Gazette.	
	No.	Date.	No.	Date.
Lund, T., Winchester, U.S.A. (See United Shoe Machinery Company, No. 18300.)				
Lyell, A., Palmerston North, N.Z. Sewing-machine .. .. .	18220	28 July ..	69	18 Aug.*
Macalister, J., Invercargill, N.Z. Chain-drive manure feed .. .. .	17116	15 Oct., 1903..	69	18 Aug.
Macalpine, T., London, Eng. Oil-refining apparatus .. .. .	18233	28 July ..	69	18 Aug.*
Madeley, O. T., Corindhap, Vic. Gathering delicate fruit .. .. .	18451	15 Sept. ..	80	29 Sept.*
Madeley, O. T., Corindhap, Vic. Fruit-tree pruner .. .. .	18477	22 Sept. ..	83	13 Oct.*
Mahony, E. C., Vancouver, B.C. Wall-sections for house-building .. .. .	18361	22 Aug. ..	80	29 Sept.
Maindonald, F. J., Waimate, N.Z. Oil-engine .. .. .	18313	12 Aug. ..	74	1 Sept.*
Maine, E., Christchurch, N.Z. Boot or shoe stand .. .. .	18267	2 Aug. ..	69	18 Aug.*
Manning, E. W., and another, Auckland, N.Z. Advertising .. .. .	18109	29 June ..	69	18 Aug.*
Marks, J., Auckland, N.Z. Hose-coupling .. .. .	17359	8 Dec., 1903..	77	15 Sept.
Marsh, R. F., East Maitland, N.S.W. Washing-machine .. .. .	17988	1 June ..	80	29 Sept.*
Martin, G. P., Kelso, N.Z. Animal-cover fastening .. .. .	18158	11 July ..	69	18 Aug.*
Maxwell, P. C., and others, Latrobe, Tas. Playing-card holder .. .. .	18281	3 Aug. ..	69	18 Aug.*
May, E. G., Christchurch, N.Z. Door-holder .. .. .	18167	19 July ..	69	18 Aug.
May, T. W., Auckland, N.Z. Rotary engine .. .. .	18191	19 July ..	69	18 Aug.*
Mayo, B. F., Salem, U.S.A. (See United Shoe Machinery Company, No. 18299.)				
McArtney, A., Nelson, N.Z. Double-headed match .. .. .	18239	22 July ..	69	18 Aug.*
McCully, H. S., Upper Waitohi, N.Z. Cultivator attachment to plough .. .. .	18249	28 July ..	..	..
McDade, J. J., San Francisco, U.S.A. Affixing postage-stamps .. .. .	18386	1 Sept. ..	83	13 Oct.
McDonald, A. M., Wellington, N.Z. Egg-preserving cabinet .. .. .	18398	3 Sept. ..	80	29 Sept.*
McDonald, P., Dipton, N.Z. Removably attaching grippers to tires .. .. .	18193	18 July ..	69	18 Aug.*
McEwan, R., Wyndham, N.Z. Fibre-washing apparatus .. .. .	18417	7 Sept. ..	77	15 Sept.*
McGregor, D., Fordell, N.Z. Cycling-cape .. .. .	18200	21 July ..	..	..
McGuinness, D. H. K., Wangaratta, Vic. Elevating hand-truck .. .. .	18475	22 Sept. ..	83	13 Oct.*
McIlvride, P., Wanganui, N.Z. Nose-bag .. .. .	18455	15 Sept. ..	80	29 Sept.*
McLean, G. A., and another, Wellington, N.Z. Partition for room .. .. .	18389	1 Sept. ..	77	15 Sept.*
McLennan, W., and another, Dunedin, N.Z. Coal-saver and draught-regulator .. .. .	18198	18 July ..	69	18 Aug.
McLennan, R. M., Dunedin, N.Z. Calendar .. .. .	18195	18 July ..	69	18 Aug.*
McLennan, R. M., Dunedin, N.Z. Divider .. .. .	18350	19 Aug. ..	74	1 Sept.*
McLeod, A., Auckland, N.Z. Marking-stamp .. .. .	18315	11 Aug. ..	74	1 Sept.*
McLeod, A., Brisbane, Q. Camera tripod-stand .. .. .	18474	22 Sept. ..	83	13 Oct.*
McMaster, E. G. D., Matawhero Station, N.Z. Turnip-trimmer .. .. .	18339	19 Aug. ..	80	29 Sept.
McNeil, A. C., Brunswick, N.Z. Cow-leg roper .. .. .	18276	4 Aug. ..	69	18 Aug.*
McNeill, J. F., Melbourne, Vic. Fertiliser-distributor .. .. .	18242	28 July ..	77	15 Sept.
McNeill, J. F., Melbourne, Vic. Gate .. .. .	18369	25 Aug. ..	80	29 Sept.
McPharlin, A. J., Whangapoua, N.Z. Catching kauri-gum .. .. .	18182	20 July ..	69	18 Aug.
McPhee, J. H. A., Dunedin, N.Z. Reducing pulverised iron-ore .. .. .	18490	20 Sept. ..	..	..
McQueen, J. H., and others, Dunedin, N.Z. Decanter .. .. .	18122	2 July ..	69	18 Aug.*
Meiklejohn, J. B., and others, Dunedin, N.Z. Indicating destination of cars, trains, &c. .. .. .	18172	14 July ..	66	4 Aug.*
Meredith, J. T., Geraldine, N.Z. Motor-tire metal shield .. .. .	18143	8 July ..	62	21 July.*
Mergenthaler, O., and another. (See E. Waters, jun., No. 17574.)				
Merrett, J. A., and others, Wellington, N.Z. Apparatus for drying blood .. .. .	18106	1 July ..	66	4 Aug.*
Merrett, J. A., and others, Wellington, N.Z. Apparatus for drying milk, blood, &c. .. .. .	18261	2 Aug. ..	69	18 Aug.*
Miller, J. H., Chatton, N.Z. Turnip-seed sower .. .. .	16938	10 Sept., 1903	62	21 July.
Miller, W. E. C. T., and another, Sydenham, N.Z. Piano-insulator .. .. .	18217	22 July ..	69	18 Aug.*
Mitchell, F., Heathcote, Vic. Vehicle-brake .. .. .	18275	4 Aug. ..	74	1 Sept.*
Mitchell, H. L., and others, South Godstone, Eng. Coal-dust binding-composition .. .. .	18238	28 July ..	74	1 Sept.
Mitchell, J., Auckland, N.Z. Cock for low pressures .. .. .	18346	15 Aug. ..	80	29 Sept.
Moore, M., and another, Melbourne Vic. Ore-treatment apparatus .. .. .	17425	30 Dec. 1903 ..	77	15 Sept.
Morris, R. B., and another, Christchurch, N.Z. Basket-lid fastener .. .. .	18459	17 Sept. ..	80	29 Sept.*
Morrison, A., Dunedin, N.Z. Dredge-screen .. .. .	18135	7 July ..	66	4 Aug.
Morrison, D. H., Wanganui, N.Z. Bridge-marker .. .. .	18292	9 Aug. ..	77	15 Sept.
Morton, H. J., Chicago, U.S.A. (See F. J. Jones, No. 17285.)				
Morton, W., and others, Dunedin, N.Z. Turnip-thinning machine .. .. .	18215	22 July ..	69	18 Aug.*
Moss, E., Christchurch, N.Z. Stamping and franking machine .. .. .	18337	17 Aug. ..	74	1 Sept.*
Moss, E., and another, Avonside, N.Z. Basket-lid fastener .. .. .	18459	17 Sept. ..	80	29 Sept.*
Mouat, B. J., Dunedin, N.Z. Draught-regulator for grate .. .. .	18515	24 Sept. ..	..	..
Mowlem, H., Palmerston North, N.Z. Opening envelopes .. .. .	18207	9 Aug. ..	77	15 Sept.*
Mowlem, H., Palmerston North, N.Z. Opening envelopes .. .. .	18207	9 Aug. ..	77	15 Sept.
Murnane, C., Sydney, N.S.W. Chaff-cutter .. .. .	18387	1 Sept. ..	77	15 Sept.*
Mutch, A., and another, Carterton, N.Z. Washing-boiler .. .. .	17634	8 March ..	66	4 Aug.
Nankivell, E. H., Waikouaiti, N.Z. Pinion-oiler .. .. .	17335	3 Dec., 1903..	80	29 Sept.
Nash, J. G., Adelaide, S.A. Gas-producer .. .. .	18273	4 Aug. ..	77	15 Sept.
Nash, T. A., Christchurch, N.Z. Preventing guttering in candles .. .. .	17826	25 April ..	62	21 July.
Nathan, A., and others, Feilding, N.Z. Apparatus for drying blood .. .. .	18106	1 July ..	66	4 Aug.*
Nathan, A., and others, Feilding, N.Z. Apparatus for drying milk, blood, &c. .. .. .	18261	2 Aug. ..	69	18 Aug.*
Nathan, F. J., and others, Palmerston North, N.Z. Apparatus for drying blood .. .. .	18106	1 July ..	66	4 Aug.*
Nathan, F. J., and others, Wellington, N.Z. Apparatus for drying milk, blood, &c. .. .. .	18261	2 Aug. ..	69	18 Aug.*
National Typographic Company, Charleston, U.S.A. (See E. Waters, jun., No. 17574.)				
Natrass, L. N., and another, Lower Hutt, N.Z. Churn .. .. .	18380	30 Aug. ..	80	29 Sept.*

## ALPHABETICAL LIST OF APPLICANTS FOR LETTERS PATENT—continued.

Name, Address, and Invention.	Application.		Gazette.	
	No.	Date.	No.	Date.
Nelson, G. M., and another, Warragul, Vic. Disc-plough .. ..	18507	28 Sept.	83	13 Oct.*
Nelson, M., Kalgoolie, W.A. (See C. F. Strauss, No. 18131.)				
Nettheim, C., and another, Sydney, N.S.W. Boot .. ..	18289	5 Aug.	77	15 Sept.
New Inverted Incandescent Gas-lamp Company, Limited, The, London, Eng. Mantle-support. (J. Bridger)	18326	17 Aug.	..	..
Nicholson, J. S., Okaihū, N.Z. Nail .. ..	18439	8 Sept.	83	13 Oct.*
Nicolson, S., Gore, N.Z. Non-freezable tap .. ..	18144	11 July	62	21 July.*
Nicolson, S., Gore, N.Z. Non-freezing tap .. ..	18196	19 July	69	18 Aug.*
Nicolson, S., Gore, N.Z. Attaching leather strips to motor-tires	18197	19 July	69	18 Aug.*
Nicolson, S., Gore, N.Z. Making leather waterproof .. ..	18514	28 Sept.	83	13 Oct.*
Nikander, J. A., Christchurch, N.Z. Floor-cram .. ..	18283	3 Aug.	69	18 Aug.*
Nikander, M., Christchurch, N.Z. Appliance for use by young children	18087	24 June	66	4 Aug.*
Noonan, J. H., and another, Auckland, N.Z. Billiard-rest .. ..	18176	14 July	69	18 Aug.
Nunn, P., Tungamah, Vic. Clay-remover from hoes of grain-drills ..	18297	11 Aug.	69	18 Aug.*
Nuttall, B. O., Dannevirke, N.Z. Window-fastener .. ..	18347	20 Aug.	..	..
Nuttall, W. T., Wanganui, N.Z. (See W. E. Hughes, No. 16873.)				
Oakley, G. C., and others, South Godstone, Eng. Coal-dust binding-composition	18238	28 July	74	1 Sept.
Oates, G. P., and another, Springfield, U.S.A. (See American Seeding-machine Company, No. 18204.)				
O'Brien, W., jun., Waipori, N.Z. Obtaining hydraulic power from waves	18160	15 July	69	18 Aug.*
O'Connor, T. B., Auckland, N.Z. Indicator for race-horse bridle ..	18152	14 July	66	4 Aug.*
O'Connor, T. B., and another, Auckland, N.Z. Billiard-rest .. ..	18176	14 July	69	18 Aug.
O'Connor, T. B., Auckland, N.Z. Racing bridle and bit .. ..	18246	25 July	77	15 Sept.
O'Hara, W. J., Papatoitō, N.Z. Waggon .. ..	17172	27 Oct., 1903..	77	15 Sept.
Olden, O. L., and another, Ballarat, Vic. Extracting gold .. ..	17810	21 April	74	1 Sept.
Olsen, O. M. J., and another, Parramatta, N.S.W. Gas-burner regulator	18391	1 Sept.	83	13 Oct.
O'Neil, J., Christchurch, N.Z. Windmill .. ..	18352	22 Aug.	77	15 Sept.*
O'Neill, P. S., and another, Kōkiri, N.Z. Vehicle-couplings .. ..	18396	2 Sept.	77	15 Sept.*
Orbell, R. L., Timaru, N.Z. Turnip-puller .. ..	18341	18 Aug.	77	15 Sept.*
Packham, F. R., and another, Springfield, U.S.A. (See American Seeding-machine Company, No. 18204.)				
Paladini, R., Wellington, N.Z. Flushing-pan .. ..	18473	22 Sept.	83	13 Oct.*
Palmer, J. S., Wanganui, N.Z. Account-book .. ..	18522	30 Sept.	..	..
Park, A. J., Dunedin, N.Z. Rotary engine. (F. Kettle) .. ..	18294	6 Aug.	74	1 Sept.*
Park, T. M., Chicago, U.S.A. Ore-loading machine .. ..	18323	17 Aug.	80	29 Sept.
Parker, A., Dannevirke, N.Z. Ballot-box .. ..	18502	28 Sept.	83	13 Oct.*
Paterson, R. T., and another, Melbourne, Vic. Parcel-strap. (J. Kinsella)	17198	30 Oct., 1903..	74	1 Sept.
Paul, T. T., and another, Dunedin, N.Z. Binder for mercantile papers, &c.	18206	21 July	69	18 Aug. *
Paul, T. T., and another, Dunedin, N.Z. Paper-binder .. ..	18370	23 Aug.	77	15 Sept. *
Payne, W. H., Palmerston North, N.Z. Dirt-screen for motor-car ..	18259	2 Aug.	69	18 Aug.
Peart, A. A., and others, Latrobe, Tas. Playing-card holder .. ..	18281	3 Aug.	69	18 Aug.*
Perdriau, E. C., Melbourne, Vic. Rubber heels, soles, tips, &c.	18364	25 Aug.	77	15 Sept.*
Perdriau, E. M., Drummoyne, N.S.W. Riding-coat. (H. Daniell) ..	17161	24 Oct., 1903..	69	18 Aug.
Perniskie, V., Christchurch, N.Z. Nib-ejector .. ..	18120	2 July	66	4 Aug.
Perry, J. W., Christchurch, N.Z. Bicycle .. ..	18466	20 Sept.	80	29 Sept.*
Petrie, J., Timaru, N.Z. Sash-lock .. ..	18115	4 July	66	4 Aug.
Pettibone, H., and another, Hartford, U.S.A. (See E. S. Baldwin and H. H. Rayward, No. 17961.)				
Pilkington, W. W., and another, Wellington, N.Z. Churn .. ..	18380	30 Aug.	80	29 Sept.*
Piper, W. H., and another, Sydenham, N.Z. Extension boot .. ..	18134	7 July	66	4 Aug.*
Ponninghaus, W., Papanui, N.Z. Incubator .. ..	18216	22 July	69	18 Aug.*
Power and Mining Machinery Company, New York, U.S.A. (See E. S. Baldwin and H. H. Rayward, No. 17961.)				
Price, J. C. R., and another, Palmerston North, N.Z. Body for two-wheeled vehicle	18423	7 Sept.	83	13 Oct.
Prior, A., Dunedin, N.Z. Box .. ..	18278	2 Aug.	69	18 Aug.*
Purkiss, J., Halcombe, N.Z. Affixing stamps on wafers .. ..	18358	24 Aug.	77	15 Sept.*
Quertier, H., and another, Dunedin, N.Z. Flashlight apparatus .. ..	18257	1 Aug.	69	18 Aug.*
Quertier, H., and another, Dunedin, N.Z. Flashlight-powder .. ..	18258	1 Aug.	69	18 Aug.*
Quertier, H., Dunedin, N.Z. Dredging and excavating machinery ..	18306	11 Aug.	74	1 Sept.*
Quin, W., Wellington, N.Z. Receipt and cheque form .. ..	18408	6 Sept.	80	29 Sept.*
Randell, M., Auckland, N.Z. Ventilator .. ..	18314	12 Aug.	..	..
Rankin, W. F., Auckland, N.Z. Stove-protector .. ..	181631	6 July	69	18 Aug.*
Rasmussen, N., Mauriceville West, N.Z. Belt-fastener .. ..	18356	23 Aug.	77	15 Sept.*
Raworth, J. S., Streatham, Eng. Electrically propelled vehicle ..	18376	20 Aug.	80	29 Sept.
Ray, F., East Orange, U.S.A. (See Henry R. Worthington, Nos. 18366 and 18367.)				
Raymond, F. V., Invercargill, N.Z. Knife-cleaner .. ..	18140	5 July	66	4 Aug.*
Rayward, H. H., and another, Wellington, N.Z. Making producer and water gas. (Power Mining Machinery Company—B. Loomis and H. Pettibone)	17961	26 May	74	1 Sept.*
Reid, A., Whangamōmona, N.Z. Hook for reins, traces, &c. .. ..	18409	6 Sept.	77	15 Sept.*
Richard, M., and another, Glasgow, Scotland. Bakers' oven .. ..	18531	29 Sept.	..	..
Richards, W. M., and others, Brisbane, Q. Earth-closet .. ..	18357	23 Aug.	77	15 Sept.*
Richardson, E., Hawthorn, Vic. Cycle free-wheel .. ..	18368	25 Aug.	77	15 Sept.*
Richmond, A. P., Marrickville, N.S.W. Therapeutic apparatus .. ..	18214	26 July	74	1 Sept.



ALPHABETICAL LIST OF APPLICANTS FOR LETTERS PATENT—continued.

Name, Address, and Invention.	Application.		Gazette.	
	No.	Date.	No.	Date.
Richmond, A. P., Marrickville, N.S.W. Apparatus for treating diseases	18330	17 Aug. ..	80	29 Sept.
Rickard, F. G., Ashburton, N.Z. Iron building-material ..	18472	22 Sept. ..	82	13 Oct.*
Ridgway, J. E., and others, Unley, S.A. Destruction of rabbits ..	18509	28 Sept. ..	83	13 Oct.*
Rifenburg, W. G., San Francisco, U.S.A. Muller and amalgamator ..	18271	4 Aug. ..	77	15 Sept.
Rigby, W. S., Greymouth, N.Z. Launching ships' boats ..	18153	14 July ..	66	4 Aug.*
Ritchie, T., Grasmere, N.Z. Stop-cock ..	18524	28 Sept. ..	83	13 Oct.*
Ritscher, J., Melbourne, Vic. Cycle-crank ..	17363	11 Dec., 1903 ..	69	18 Aug.
Robertson, D., Wellington, N.Z. Envelope, wrapper, &c. ..	18518	24 Sept. ..	83	13 Oct.*
Robertson, D. M., Christchurch, N.Z. Totalisator ..	16958	11 Sept., 1903 ..	59	7 July.
Robertson, J., Waitati, N.Z. Tail-grip for cattle, &c. ..	16985	11 Sept., 1903 ..	59	7 July.
Robison, D. M., and another, St. Kilda, Vic. Cow-milking apparatus ..	18303	11 Aug. ..	69	18 Aug.
Rogers, T., Wellington, N.Z. Forming O.G. spouting and rigging ..	18209	25 July ..	69	18 Aug.
Rooney, J. W., and others, Dunedin, N.Z. Indicating destination of cars, trains, &c.	18172	14 July ..	66	4 Aug.*
Rose, H. S., and another, Christchurch, N.Z. Kitson lamp light-extinguisher	18126	4 July ..	62	21 July.*
Roseman, S. G., Auckland, N.Z. Broom and brush ..	18147	12 July ..	62	21 July.*
Rowe, D., Wanganui, N.Z. Pneumatic-tire pump ..	18130	6 July ..	66	4 Aug.
Rowe's Patent Lock and Block, Limited, Sydney, N.S.W. Railway-traffic control system. (W. Rowe)	18274	4 Aug. ..	69	18 Aug.*
Rowe, W., Marrackville, N.S.W. (See Rowe's Patent Lock and Block, Limited, No. 18274.)				
Rowland, J. H., Waipukurau, N.Z. Game ..	18492	24 Sept. ..	77	15 Sept.*
Russell, R. A. C., Walsall, Eng. Saddle-tree ..	18388	26 March† ..	77	15 Sept.*
Ryan, M., Greymouth, N.Z. Gold-saving apparatus ..	18434	9 Sept. ..	80	29 Sept.*
Sampson A. G., Mokau, N.Z. Lining-cramp ..	18317	15 Aug. ..	74	1 Sept.*
Samuel, T., Westport, N.Z. Auriferous-gravel elevator ..	18403	5 Sept. ..	77	15 Sept.*
Sander, G. E. C. F., Westport, N.Z. Gate-latch ..	18192	21 July ..	83	13 Oct.*
Sanders, G. S., and others, Kensington, S.A. Destruction of rabbits ..	18509	28 Sept. ..	83	13 Oct.*
Sanderson, J., and another, New Plymouth, N.Z. Drawing table and easel	17911	14 May ..	66	4 Aug.
Sands, R., and another, Sydney, N.S.W. Half-tone photo-lithography	18333	18 Aug. ..	77	15 Sept.
Sauvage, W. H., Manhattan, U.S.A. (See W. J. Spruson, No. 17846.)				
Savary, A., East Melbourne, Vic. Manufacturing jewellery ..	18334	18 Aug. ..	74	1 Sept.*
Schmidt, W. S. D., Auckland, N.Z. Protecting boot-soles ..	18494	22 Sept. ..	83	13 Oct.*
Schultz, C. H., Christchurch, N.Z. Glove ..	18332	15 Aug. ..	77	15 Sept.*
Schulze, E., Auckland, N.Z. Catamenial appliance ..	18371	25 Aug. ..	80	29 Sept.*
Scoon, J., Oamaru, N.Z. Trough ..	18264	3 Aug. ..	74	1 Sept.
Scott, G. M., Dunedin, N.Z. Sash-balance ..	18310	9 Aug. ..	74	1 Sept.*
Scott, W., and another, Glasgow, Scotland. Bakers' oven ..	18531	29 Sept. ..	74	1 Sept.*
Searle, W. E., and another, Oamaru, N.Z. Breaching-strap hook ..	18253	29 July ..	74	1 Sept.*
Searle and Gibb, Oamaru, N.Z. (See W. E. Searle and W. Gibb, No. 18253.)				
Shailer, P. H., Auckland, N.Z. Submarine torpedo-boat ..	18146	8 July ..	62	21 July.*
Shelton, F. J., Wellington, N.Z. Range-heater ..	17308	28 Nov., 1903 ..	77	15 Sept.
Shelton, F. J., Wellington, N.Z. Acetylene-generator ..	18199	21 July ..	69	18 Aug.
Shelton, F. J., Wellington, N.Z. Acetylene-generator ..	18462	19 Sept. ..	77	15 Sept.*
Shepherd, J., Te Kinga, N.Z. Thief-proof lock for doors, &c. ..	18424	5 Sept. ..	77	15 Sept.*
Shepherd, J., Te Kinga, N.Z. Water-gauge for steam-boiler ..	18425	5 Sept. ..	77	15 Sept.*
Shiels, J., and another, Balfour, N.Z. Air or vacuum buffer ..	18159	14 July ..	69	18 Aug.*
Shoob, I., London, Eng. Incandescent-gas burner ..	18287	9 Aug. ..	77	15 Sept.
Shury, F. G., Greymouth, N.Z. Feed-water filter ..	18154	25 May ..	66	4 Aug.
Sibbit, J. M., Hawthorn, Vic. Wire-gauge screen-roller ..	18519	29 Sept. ..	66	4 Aug.*
Small, C. C., Newton, Highlands, U.S.A. Top-lift for boot and shoe ..	18100	24 Oct., 1903† ..	66	4 Aug.*
Smallbone, R. E., Auckland, N.Z. Bread-toaster ..	18254	1 Aug. ..	77	15 Sept.
Smith, C. E. E., Auckland, N.Z. Smoke-consumer ..	18189	16 July ..	69	18 Aug.*
Smith, C. E. E., Auckland, N.Z. Castor ..	18188	18 July ..	69	18 Aug.*
Smith, C. E. E., and another, Auckland, N.Z. Fire and hearth screen ..	18187	18 July ..	69	18 Aug.*
Smith, E., Gisborne, N.Z. Stopping holes in ships ..	17010	18 Sept., 1903 ..	59	7 July.
Smith, F. W., Dannevirke, N.Z. Acetylene-generator ..	17031	29 Sept., 1903 ..	66	4 Aug.
Smith, G. C., St. Kilda, Vic. (See A. E. Langford, No. 18510.)				
Smith, J. H., Bairnsdale, Vic. Gate-post "falls." (W. M. Alexander)	18469	22 Sept. ..	69	18 Aug.*
Smith, S., Christchurch, N.Z. Sandal ..	18157	12 July ..	69	18 Aug.*
Smith, T., Kotuku, N.Z. Boring apparatus ..	17400	21 Dec., 1903 ..	69	18 Aug.*
Sneddon, W., Dunedin, N.Z. Garment-suspender ..	18260	2 Aug. ..	69	18 Aug.*
Sneesby, J. J., and another, Melbourne, Vic. Crimping-can bodies ..	18479	22 Sept. ..	83	13 Oct.*
Sneesby, J. J., and another, Melbourne, Vic. Securing ends of tin-canisters	18480	22 Sept. ..	83	13 Oct.*
Sneesby, J. J., and another, Melbourne, Vic. Rotary can-seaming machine	18508	28 Sept. ..	83	13 Oct.*
Soper, F., Athol, N.Z. Automatically-rocking cradles ..	18164	16 July ..	69	18 Aug.*
Speden, A., Timaru, N.Z. Door-lock ..	18223	25 July ..	69	18 Aug.*
Spencer, W. E., and another, New Plymouth, N.Z. Drawing table and easel	17911	14 May ..	66	4 Aug.
Spiller, W. H., Albert Park, Vic. Cream-separator and milk-cooler ..	18291	9 Aug. ..	69	18 Aug.*
Spruson, W. J., Sydney, N.S.W. Railway brake. (W. H. Sauvage) ..	17846	27 April ..	69	18 Aug.
Standard Mouthpiece Machine Company, New York, U.S.A. Cigarette mouthpiece. (G. P. Butler.)	18418	7 Sept. ..	83	13 Oct.
Standen, W. J., Pleasant Point, N.Z. Lamb cutter and tailer ..	17322	2 Dec., 1903 ..	80	29 Sept.
Steele, R., and another, Sydney, N.S.W. Boot ..	18289	5 Aug. ..	77	15 Sept.
Stephan, A., and another, Waverley, N.S.W. Half-tone photo lithography	18333	18 Aug. ..	77	15 Sept.
Stephenson, A. A., Fremantle, W.A. Inflammable gas ..	18181	19 July ..	69	18 Aug.*

## ALPHABETICAL LIST OF APPLICANTS FOR LETTERS PATENT—continued.

Name, Address, and Invention.	Application.		Gazette.	
	No.	Date.	No.	Date.
Stevens, T. G., Greenhithe, Eng. Cycle-saddle .. ..	17604	2 March ..	74	1 Sept.
Stevenson, G. S., and another, Gore, N.Z. Air or vacuum buffer .. ..	18159	14 July ..	69	18 Aug.*
Stevenson, G. S., Gore, N.Z. Furniture drawers .. ..	18533	30 Sept. ..	..	..
Stevenson, G. S., Gore, N.Z. Cork-seal .. ..	18534	30 Sept. ..	..	..
Stevenson, G. S., Gore, N.Z. Dredge-clay remover .. ..	18535	30 Sept. ..	83	13 Oct.*
Stevenson, G. S., and another, Gore, N.Z. Rifle wind-gauge .. ..	18265	3 Aug. ..	69	18 Aug.*
Stevenson, J., Waimate, N.Z. Tent .. ..	18527	30 Sept. ..	83	13 Oct.*
Stevenson, W., Auckland, N.Z. Billiard and dining table .. ..	18307	29 June ..	74	1 Sept.
Stevenson, W., Auckland, N.Z. Dining and billiard table .. ..	17874	2 May ..	77	15 Sept.
Stevenson, W., Auckland, N.Z. Boiler-cover tub and clothes carrier ..	18379	30 Aug. ..	80	29 Sept.
Stewart, St. G. T. W., and another, Sydenham, N.Z. Piano-insulator ..	18217	22 July ..	69	18 Aug.*
Stewart, J., Dunedin, N.Z. Polish-spreaders .. ..	18400	5 Sept. ..	77	15 Sept.*
Stewart, T. C., Echuca, Vic. Drying-frame for shrinkable clothing ..	18171	13 July ..	66	4 Aug.*
Stoddart, W. G., Geelong, Vic. Driving dentists and surgeon's drills ..	18145	8 July ..	62	21 July.*
Stokoe, F. W., Auckland, N.Z. Ladder .. ..	18345	20 Aug. ..	80	29 Sept.
Storer, J., and another, Melbourne, Vic. Recovering gold .. ..	18457	14 Sept. ..	80	29 Sept.*
Storrie, A., Invercargill, N.Z. Turnip-thinner .. ..	17280	23 Nov., 1903	77	15 Sept.*
Strain, J. J., Christchurch, N.Z. Gas-stove .. ..	18222	25 July ..	74	1 Sept.
Strain, J. J., Christchurch, N.Z. Gas-stove .. ..	18296	9 Aug. ..	74	1 Sept.
Strauss, C. F., Kalgoorlie, W.A. Gripper for ore-feeder. (M. Nelson) ..	18131	7 July ..	66	4 Aug.
Stringfellow, C., Auckland, N.Z. Button-hook .. ..	18411	6 Sept. ..	..	..
Sutherland, R. A. D., and another, Invercargill, N.Z. Candle-holder ..	18295	2 Aug. ..	74	1 Sept.*
Tagell, J., Bethanga, Vic. Cylindrical valve for rock-drills, &c. ..	17208	5 Nov., 1903	69	18 Aug.
Tattersfield, J. W., Auckland, N.Z. Parchment window-blind .. ..	18360	22 Aug. ..	77	15 Sept.
Taylor, E., Brisbane, Q. Determining amount of liquid withdrawn from a vessel by a syphon ..	18447	15 Sept. ..	80	29 Sept.*
Taylor, J., Newcastle, N.S.W. Washboard .. ..	18430	8 Sept. ..	83	13 Oct.
Taylor, R. B., and another, Newcastle, N.S.W. Washboard and rubber ..	18236	28 July ..	69	18 Aug.*
Taylor, R., and another, Melbourne, Vic. Flooring for bridges .. ..	18401	31 Aug. ..	77	15 Sept.*
Tehan, M. J., Heathcote, Vic. Reaper and binder .. ..	18328	17 Aug. ..	80	29 Sept.
Theobald, J., Eltham, N.Z. Shaft-tug .. ..	18458	17 Sept. ..	80	29 Sept.*
Thomas, R., and another, Waitara, N.Z. Fencing-post .. ..	18331	15 Aug. ..	..	..
Thomas, R., and others, Rockhampton, Q. Earth-closet .. ..	18357	23 Aug. ..	77	15 Sept.*
Thompson, P. E., Remuera, N.Z. Fire-lighter .. ..	18440	9 Sept. ..	83	13 Oct.*
Thompson, W., Surrey, Eng. (See A. S. Burgess, No. 18437.) ..	..	..	..	..
Thomson, J., Invercargill, N.Z. Vehicle-wheel tire .. ..	18136	4 July ..	66	4 Aug.*
Timmins, T., and another, South Melbourne, Vic. Flooring for bridges, &c. ..	18401	31 Aug. ..	77	15 Sept.*
Todd, J. P., and another, Stretford, Eng. (See J. T. Hunter, No. 18290.) ..	..	..	..	..
Toft, J. M., Karaka, Drury, N.Z. Pneumatic horse-collar .. ..	18091	28 June ..	66	4 Aug.*
Toohy, J. T., and another, Sydney, N.S.W. Knife-cleaner .. ..	17690	23 March ..	69	18 Aug.
Torrente, M., Johannesburg, Transvaal. Separating solid matter ..	18450	15 Sept. ..	80	29 Sept.*
Tregelles, F. A., New Plymouth, N.Z. Moveable river and sea groin ..	18240	26 July ..	69	18 Aug.*
Tregelles, F. A., New Plymouth, N.Z. Building river and sea walls, groins, &c. ..	18241	26 July ..	69	18 Aug.*
Trewhella, B., and another, Trentham, Vic. Land-clearing jack .. ..	18435	6 Sept. ..	80	29 Sept.*
Trewhella, B., and another, Trentham, Vic. Pawl and ratchet mechanism ..	18436	6 Sept. ..	80	29 Sept.*
Trewhella, W., and another, Trentham, Vic. Land-clearing jack .. ..	18435	6 Sept. ..	80	29 Sept.*
Trewhella, W., and another, Trentham, Vic. Pawl and ratchet mechanism ..	18436	6 Sept. ..	80	29 Sept.*
Turner, A. A., and another, Tikitapu, N.Z. Separating dirt from milk ..	18404	5 Sept. ..	77	15 Sept.*
United Shoe Machinery Company, Paterson, U.S.A. Loose nailer. (G. Goddu) .. ..	17380	17 Dec., 1903..	80	29 Sept.
United Shoe Machinery Company, Paterson, U.S.A. Mould for heel-compressor. (C. L. Whiting) .. ..	18298	11 Aug. ..	69	18 Aug.*
United Shoe Machinery Company, Paterson, U.S.A. Mould for heel-compressor. (B. F. Mayo) .. ..	18299	11 Aug. ..	69	18 Aug.*
United Shoe Machinery Company, Paterson, U.S.A. Brush. (C. E. Graham) .. ..	18224	28 July ..	74	1 Sept.*
United Shoe Machinery Company, Paterson, U.S.A. Mould for heel-compressor. (T. Lund) .. ..	18300	11 Aug. ..	74	1 Sept.*
United Shoe Machinery Company, Paterson, U.S.A. Welt-attaching apparatus. (G. Goddu) .. ..	18363	25 Aug. ..	80	29 Sept.*
United Shoe Machinery Company, Paterson, U.S.A. Wax-thread sewing-machine. (F. A. Kern) .. ..	18392	1 Sept. ..	77	15 Sept.*
Visintini, F., Zurich, Switzerland. Lattice-girder, column, &c. ..	18127	6 July ..	66	4 Aug.
Wales, R., Dunedin, N.Z. Collar-stud .. ..	18169	13 July ..	69	18 Aug.*
Wales, R., Dunedin, N.Z. Material-divider .. ..	18177	15 July ..	69	18 Aug.*
Wales, R., Dunedin, N.Z. Coin-controlled stamp-affixer .. ..	18170	13 July ..	66	4 Aug.*
Wales, R., Dunedin, N.Z. Material-divider .. ..	18178	15 July ..	69	18 Aug.*
Wales, R., Dunedin, N.Z. Material-divider .. ..	18194	18 July ..	69	18 Aug.*
Wales, R., Dunedin, N.Z. Packeting discrete materials .. ..	18244	26 July ..	69	18 Aug.*
Wales, R., Dunedin, N.Z. Coin-controlled machine .. ..	18251	28 July ..	74	1 Sept.*
Wales, R., Dunedin, N.Z. Mitre-cutter .. ..	18311	9 Aug. ..	74	1 Sept.*
Walker, C. L., Harrow, Eng. (See The Leslie Walker Instantaneous Fire-detector and Fire-indicator Company, Limited, No. 18231.) ..	..	..	..	..
Wall, W. C., and another, Newtown, N.S.W. Knife-cleaner .. ..	17690	23 March ..	69	18 Aug.
Wallace, G. H., and another, Brisbane, Q. Signalling from exchange to totalisator .. ..	18201	26 July ..	..	..

## ALPHABETICAL LIST OF APPLICANTS FOR LETTERS PATENT—continued.

Name, Address, and Invention.	Application.		Gazette.	
	No.	Date.	No.	Date.
Ward, H., Dunedin, N.Z. Skylight .. .. .	18284	3 Aug. ..	74	1 Sept.
Ward, H., Dunedin, N.Z. Scraper for brushes .. .. .	18397	31 Aug. ..	..	..
Ward, T., and others, Southwark, S.A. Destruction of rabbits ..	18509	28 Sept. ..	83	13 Oct.*
Waters, jun., E., Melbourne, Vic. Typographic machine. (National Typographic Company.—O. Mergenthaler and E. Lawrenz)	17574	25 Feb. ..	62	21 July.
Watson, A. E., Kyneton, Vic. Wheel-scraper .. .. .	17216	6 Nov., 1903	69	18 Aug.
Watson, F. L., and another, Leeds, Eng. Refuse-furnace .. .. .	18230	28 July ..	74	1 Sept.
Watson, G., and another, Leeds, Eng. Refuse-furnace .. .. .	18230	28 July ..	74	1 Sept.
Watson, J., and others, Dunedin, N.Z. Decanter .. .. .	18122	2 July ..	69	18 Aug.*
Watson, R. S., Islington, N.Z. Refrigerator-pipe cleaner .. .. .	17313	2 Dec., 1903 ..	74	1 Sept.
Watt, C. L., and others, Dunedin, N.Z. Indicating destination of cars, trains, &c.	18172	14 July ..	66	4 Aug.*
Watt, J., Balclutha, N.Z. Utilising waste heat from oil-lamp, &c. ..	18221	27 July ..	69	18 Aug.*
Watt, J., Balclutha, N.Z. Portable gas-fire ball-heater .. .. .	18414	6 Sept. ..	83	13 Oct.*
Waugh, C. J., Wellington, N.Z. Turning and crowning speed pulleys ..	18255	15 Aug. ..	69	18 Aug.*
Way, R. F., and another, Onehunga, N.Z. Spring-tip tug .. .. .	18320	16 Aug. ..	74	1 Sept.*
Way, R. F., Auckland, N.Z. Window-fastener .. .. .	18413	6 Sept. ..	83	13 Oct.*
Way, R. F., and another, Auckland, N.Z. Wire-woven mattress .. .. .	18454	15 Sept. ..	..	..
Weinrich, M., Yonkers, U.S.A. Drying granular materials .. .. .	18415	7 Sept. ..	83	13 Oct.
Wells, W. L., and others, Latrobe, Tas. Playing-card holder .. .. .	18281	3 Aug. ..	69	18 Aug.*
Westbury, A. P., and another, Lower Hutt, N.Z. Sash-bar for green- houses, &c.	18262	3 Aug. ..	69	18 Aug.*
Weston, R., Sydenham, N.Z. Cycle-shoe .. .. .	18498	26 Sept. ..	83	13 Oct.*
Whately, A., and others, Chaddington, Eng. Straining liquids .. .. .	18128	6 July ..	..	..
Whiley, R., Wellington, N.Z. Insecticide .. .. .	18208	25 July ..	69	18 Aug.*
Whiley, R., jun., Ohau, N.Z. Station-indicator .. .. .	18486	23 Sept. ..	83	13 Oct.*
White, S., Dunedin, N.Z. Car-fender .. .. .	18342	15 Aug. ..	74	1 Sept.*
Whitehouse, S. G., London, Eng. Wheeled vehicle .. .. .	18429	2 Sept. ..	..	..
Whiting, C. L., Brockton, U.S.A. (See United Shoe Machinery Com- pany, No. 18298.)	..	..	..	..
Whitney, S. E. E., Auckland, N.Z. Ships, torpedo-boats, &c. (A. N. Whitney.)	18344	16 Aug. ..	74	1 Sept.*
Whitney, A. N., Melbourne, Vic. (See S. E. E. Whitney, No. 18344.)	..	..	..	..
Whitney, W. R., Schenectady, U.S.A. Filaments .. .. .	18503	28 Sept. ..	..	..
Williams, A. E., Woolahra, N.S.W. Luggage label and case .. .. .	18482	22 Sept. ..	..	..
Williams, L., Yarraville, Vic. Parlour game .. .. .	18180	19 July ..	74	1 Sept.*
Williams, J., Hawthorndale, N.Z. Drain-plough .. .. .	17094	7 Oct., 1903 ..	69	18 Aug.
Wilson, A., Kaikorai, N.Z. (See J. G. L. Hewitt, No. 17017.)	..	..	..	..
Wilson, H., Stratford, N.Z. Killing birds .. .. .	18497	26 Sept. ..	83	13 Oct.*
Wilson, J., Christchurch, N.Z. File for newspapers, &c. .. .. .	18125	4 July ..	62	21 July.*
Wilson, R. A., Bull's, N.Z. Loading gravel into trucks .. .. .	16895	1 Sep., 1903 ..	69	18 Aug.
Wolf, A. C., and another, Carterton, N.Z. Washing-boiler .. .. .	17634	8 March ..	66	4 Aug.
Woltereck, H. C., London, Eng. Producing ammonia .. .. .	18506	28 Sept. ..	..	..
Woods, M., and another, Carlton, Vic. Dressing surfaces of rails ..	18537	30 Sept. ..	..	..
Woolcott, H. S., Wellington, N.Z. Tap .. .. .	17263	18 Nov., 1903	66	4 Aug.
Woolcott, H. S., Wellington, N.Z. Drainpipe connection .. .. .	17332	7 Dec., 1903 ..	74	1 Sept.
Worsey-Hoal Gold-extracting Syndicate, Limited, Liverpool, Eng. Ex- tracting gold from gold-ores. (J. W. Worsey and E. Hoal.)	18225	28 July ..	69	18 Aug.
Worsey, J. W., and another, St. Helens, Eng. (See Worsey-Hoal Gold- extracting Syndicate, Limited, No. 18225.)	..	..	..	..
Worthington, Henry R., New York, U.S.A. Centrifugal turbine .. .. .	18366	25 Aug. ..	80	29 Sept.
Worthington, Henry R., New York, U.S.A. Pump. (F. Ray) .. .. .	18367	25 Aug. ..	80	29 Sept.
Wright, C. F., and another, Barberton, U.S.A. (See Bryant and May, Limited, No. 18235.)	..	..	..	..
Wright, J. P., and another, Akron, U.S.A. (See Bryant and May, Limited, No. 18235.)	..	..	..	..
Yager, H., Fitzroy, Vic. Boot .. .. .	18470	22 Sept. ..	..	..

## Alphabetical List of Inventions for Quarter ending 30th September, 1904.

THIS list includes also applications lodged prior to but gazetted during the quarter, and complete specifications following provisional specifications accepted and gazetted during the quarter. Where the number and date of the *Gazette* are omitted, the applications have not yet been accepted.

\* Denotes a provisional specification.

† Denotes a prior date under section 106 of "The Patents, Designs, and Trade Marks Act, 1889."

Invention.	Name.	Application.		Gazette.	
		No.	Date.	No.	Date.
Account-book .. .. .	J. S. Palmer .. .. .	18522	30 Sept. .. .	.. .	.. .
Account-book, Loose-leaf .. .. .	H. M. Douglas .. .. .	18338	19 Aug. .. .	74	1 Sept.*
Acetylene-gas generator .. .. .	C. H. Bissaker .. .. .	18481	22 Sept. .. .	83	13 Oct.*
Acetylene-gas generator .. .. .	F. W. Smith .. .. .	17031	29 Sept., 1903	66	4 Aug.
Acetylene-gas generator .. .. .	F. J. Shelton .. .. .	18199	21 July .. .	69	18 Aug.
Acetylene-gas generator .. .. .	A. J. Gilsean .. .. .	18186	21 July .. .	69	18 Aug.*
Acetylene-gas generator .. .. .	F. R. Hyde .. .. .	18461	16 Sept. .. .	83	13 Oct.*
Acetylene-generator .. .. .	F. J. Shelton .. .. .	18462	19 Sept. .. .	.. .	.. .
Acid solutions, Recovering metals from .. .. .	A. Gutensohn .. .. .	18232	28 July .. .	69	18 Aug.*
Advertising exhibitor .. .. .	A. Divine .. .. .	17964	25 May .. .	66	4 Aug.
Advertising, Method of .. .. .	J. Dunstan and E. W. Manning	18109	29 June .. .	69	18 Aug.*
Advertising, Method of .. .. .	G. E. Bailey .. .. .	18252	29 July .. .	74	1 Sept.*
Aerated waters, Saving carbonic-acid gas in manufacture of .. .. .	E. P. Coulter .. .. .	18449	15 Sept. .. .	80	29 Sept.*
Agricultural implements, Mounting for rotary scraper on .. .. .	A. E. Watson .. .. .	17216	6 Nov., 1903	69	18 Aug.
Air-brake for railway car .. .. .	W. J. Spruson .. .. .	17846	27 April .. .	69	18 Aug.
Air or vacuum buffer .. .. .	G. S. Stevenson and J. Shiels .. .	18159	14 July .. .	69	18 Aug.*
Alarm. (See Fire-alarm, Temperature alarm.)					
Amalgamator and muller .. .. .	W. G. Rifenburg .. .. .	18271	4 Aug. .. .	77	15 Sept.
Ammonia, Process for producing .. .. .	H. C. Woltereck .. .. .	18506	28 Sept. .. .	.. .	.. .
Ammonium chloride from coal, Obtaining .. .. .	A. G. French .. .. .	18493	21 Sept. .. .	83	13 Oct.*
Angle and mitre cutter .. .. .	J. H. Hickman .. .. .	18375	26 Aug. .. .	77	15 Sept.*
Animal-cover fastening .. .. .	G. P. Martin .. .. .	18158	11 July .. .	69	18 Aug.*
Animal-cover, Securing .. .. .	W. G. Grave .. .. .	18101	30 June .. .	66	4 Aug.
Animal-trap .. .. .	A. Campbell .. .. .	17202	4 Nov., 1903	69	18 Aug.
Anti-fouling composition for ships .. .. .	J. B. Hannay .. .. .	18036	15 June .. .	62	21 July.
Auriferous gravels or sand, Elevating .. .. .	T. Samuel .. .. .	18403	5 Sept. .. .	77	15 Sept.*
Bag, Nose- .. .. .	P. McIlvride .. .. .	18455	15 Sept. .. .	80	29 Sept.*
Baker's oven .. .. .	M. Richard and W. Scott .. .. .	18531	29 Sept. .. .	.. .	.. .
Balance. (See Window-sash balance, Sash-balance.)					
Ballot-box .. .. .	A. Parker .. .. .	18502	28 Sept. .. .	83	13 Oct.*
Barrels, Drawing beer from .. .. .	J. Bennett and J. Friezer .. .. .	18272	4 Aug. .. .	69	18 Aug.*
Basket-lid fastener .. .. .	E. Moss and R. B. Morris .. .. .	18459	17 Sept. .. .	80	29 Sept.*
Bath-tub and clothes-carrier .. .. .	W. Stevenson .. .. .	18379	30 Aug. .. .	80	29 Sept.
Beer, Drawing from barrels .. .. .	J. Bennett and J. Friezer .. .. .	18272	4 Aug. .. .	69	18 Aug.*
Bells, Means for actuating .. .. .	T. F. Dowling .. .. .	17134	22 Oct., 1903	69	18 Aug.
Belt. (See Electric belt, Machine belt.)					
Bicycle .. .. .	J. W. Perry .. .. .	18466	20 Sept. .. .	80	29 Sept.*
Bicycle-carrying attachment .. .. .	H. J. Gardiner .. .. .	18488	23 Sept. .. .	83	13 Oct.*
Bicycle. (See also Cycle.)					
Bicycle-stand .. .. .	M. Hogan .. .. .	17791	15 April .. .	69	18 Aug.*
Bicycle-stand .. .. .	P. J. de la Haye .. .. .	18108	28 June .. .	66	4 Aug.
Bicycle-stand .. .. .	A. A. Bushell .. .. .	18448	15 Sept. .. .	80	29 Sept.*
Billiard and dining table combined .. .. .	W. Stevenson .. .. .	18307	29 June .. .	74	1 Sept.
Billiard and dining table combined .. .. .	W. Stevenson .. .. .	17874	2 May .. .	77	15 Sept.
Billiard-rest .. .. .	J. H. Noonan and T. B. O'Connor	18176	14 July .. .	69	18 Aug.
Billiard-table, Convertible .. .. .	H. U. Alcock .. .. .	18517	24 Sept. .. .	.. .	.. .
Billiard-table, Cushion-rails of .. .. .	F. A. Alcock .. .. .	18405	6 Sept. .. .	77	15 Sept.*
Billies, Handle and lid opener for .. .. .	M. Aldis .. .. .	18247	26 July .. .	69	18 Aug.*
Binder for loose sheets .. .. .	T. Foster and T. T. Paul .. .. .	18370	23 Aug. .. .	77	15 Sept.*
Binder. (See also Newspaper-binder, Reaper-and-binder.)					
Bird-trap .. .. .	W. King .. .. .	18205	23 July .. .	74	1 Sept.
Bird-trap, Reflecting .. .. .	E. Green .. .. .	18359	24 Aug. .. .	77	15 Sept.*
Birds, Killing by electric current, small .. .. .	H. Wilson .. .. .	18497	26 Sept. .. .	83	13 Oct.*
Bit. (See Racing-bit.)					
Blight-killer .. .. .	R. Whiley .. .. .	18208	25 July .. .	69	18 Aug.*
Blind, Securing to roller .. .. .	D. Bishop .. .. .	18118	5 July .. .	66	4 Aug.*
Blind. (See Venetian-blind, Window-blind.)					
Block. (See Building-block, Pulley-block, Wood-block.)					
Blood, &c., Apparatus for drying .. .. .	A. and F. J. Nathan and J. A. Merrett	18261	2 Aug. .. .	69	18 Aug.*
Blood, Process for drying .. .. .	A. and F. J. Nathan and J. A. Merrett	18106	1 July .. .	66	4 Aug.*
Board. (See Draught and chess board, Washboard.)					
Boat. (See Rowing-boat, Ship's-boat, Torpedo-boat.)					
Bogie for vehicle, Construction of .. .. .	C. E. Bernays .. .. .	18464	20 Sept. .. .	.. .	.. .
Boiler, Combustion of fuel in fire-chamber of .. .. .	C. E. Bernays .. .. .	18293	9 Aug. .. .	77	15 Sept.
Boiler. (See Steam-boiler, Washing-boiler.)					

ALPHABETICAL LIST OF INVENTIONS—continued.

Invention.	Name.	Application.		Gazette.	
		No.	Date.	No.	Date.
Book-covers .. .. .	E. A. G. Hamlin .. .. .	18426	8 Sept. ..	83	13 Oct.*
Book. (See Account-book.)					
Boot .. .. .	B. Caton .. .. .	18137	8 July ..	66	4 Aug.*
Boot .. .. .	C. Nettheim and R. Steele .. .. .	18289	5 Aug. ..	77	15 Sept.
Boot, Extension- .. .. .	W. H. Piper and A. E. Copley .. .. .	18134	7 July ..	66	4 Aug.*
Boot-finishing composition .. .. .	E. Don .. .. .	18218	23 July ..	69	18 Aug.*
Boot or shoe, Cycle .. .. .	R. Weston .. .. .	18498	26 Sept. ..	83	13 Oct.*
Boot or shoe .. .. .	H. Yager .. .. .	18470	22 Sept. ..	..	..
Boot or shoe sole, Protecting .. .. .	W. S. D. Schmidt .. .. .	18494	22 Sept. ..	83	13 Oct.*
Boot or shoe, Rubber heel for .. .. .	E. C. Perdriau .. .. .	18364	25 Aug. ..	77	15 Sept.*
Boot or shoe stand .. .. .	E. Maine .. .. .	18267	2 Aug. ..	69	18 Aug.*
Boot or shoe, Top-lift for .. .. .	C. C. Small .. .. .	18100	24 Oct., 1903†	66	4 Aug.*
Boots, Balmoral .. .. .	H. Griffiths .. .. .	18151	14 July ..	66	4 Aug.
Boring apparatus, Diamond drill .. .. .	T. Smith .. .. .	17400	21 Dec., 1903	69	18 Aug.
Bottle-filling machine .. .. .	R. S. Haughton .. .. .	18133	7 July ..	66	4 Aug.*
Box .. .. .	A. Prior .. .. .	18278	2 Aug. ..	69	18 Aug.*
Box. (See also Ballot-box, Butter-box, Match-box, Sound-box.)					
Bracelets, &c., Manufacturing .. .. .	A. Savary .. .. .	18334	18 Aug. ..	74	1 Sept.*
Brake. (See Air-brake, Railway brake, Tramway-truck brake, Vehicle-brake.)					
Branding or marking stamp .. .. .	A. McLeod .. .. .	18315	11 Aug. ..	74	1 Sept.*
Bread, Holder for use in toasting .. .. .	R. E. Smallbone .. .. .	18254	1 Aug. ..	77	15 Sept.
Breakwaters, Caissons and foundations for .. .. .	F. A. Tregelles .. .. .	18241	26 July ..	69	18 Aug.*
Breeching-strap, Hooks for end of .. .. .	W. E. Searle, and W. Gibb .. .. .	18253	29 July ..	74	1 Sept.*
Bricks, &c., Glazing .. .. .	L. Clark .. .. .	17106	13 Oct., 1903	77	15 Sept.
" Bridge " marker .. .. .	D. H. Morrison .. .. .	18292	9 Aug. ..	77	15 Sept.
Bridges, &c., Caissons for foundation of .. .. .	F. A. Tregelles .. .. .	18241	26 July ..	69	18 Aug.*
Bridges, &c., Flooring for .. .. .	T. Timmins and R. Taylor .. .. .	18401	31 Aug. ..	77	15 Sept.*
Bridle and bit, Racing .. .. .	T. B. O'Connor .. .. .	18246	25 July ..	77	15 Sept.
Bridle-fastening .. .. .	D. Kitchen .. .. .	18422	7 Sept. ..	77	15 Sept.*
Bridle-fastening .. .. .	T. H. Brown .. .. .	18444	13 Sept. ..	83	13 Oct.*
Bridle for racehorse, Indicating-device for .. .. .	T. B. O'Connor .. .. .	18152	14 July ..	66	4 Aug.*
Broom or brush .. .. .	S. G. Roseman .. .. .	18147	12 July ..	62	21 July.*
Brush .. .. .	United Shoe Machinery Company .. .. .	18224	28 July ..	74	1 Sept.*
Brush-holder for electric machine .. .. .	Electric and Train Lighting Syndicate, Limited .. .. .	17952	25 May ..	66	4 Aug.
Brush or broom .. .. .	S. G. Roseman .. .. .	18147	12 July ..	62	21 July.*
Brush-scraping attachment .. .. .	H. Ward .. .. .	18397	31 Aug. ..	..	..
Brush, Shaving .. .. .	G. Koch .. .. .	18478	22 Sept. ..	..	..
Bucket, Clinch for fixing handle to .. .. .	A. O. and W. J. Grundy .. .. .	18441	13 Sept. ..	83	13 Oct.*
Bucket, Converting kerosene-tin into .. .. .	S. D. Currie .. .. .	18142	9 July ..	66	4 Aug.*
Bucket-dredge scouring-attachment .. .. .	R. Andrew .. .. .	17612	3 March ..	77	15 Sept.
Buffer, Air or vacuum .. .. .	G. S. Stevenson and J. Shiels .. .. .	18159	14 July ..	69	18 Aug.*
Building appliance .. .. .	R. Cosslett .. .. .	18212	22 July ..	69	18 Aug.*
Building-block, Mould for .. .. .	J. A. Ferguson .. .. .	18419	7 Sept. ..	83	13 Oct.
Building blocks and walls .. .. .	J. A. Ferguson .. .. .	18421	7 Sept. ..	..	..
Building material, Fire-resisting .. .. .	H. C. Field .. .. .	18431	8 Sept. ..	80	29 Sept.*
Building material, Iron .. .. .	F. G. Rickard .. .. .	18472	22 Sept. ..	..	..
Buildings, Flooring for .. .. .	T. Timmins and R. Taylor .. .. .	18401	31 Aug. ..	77	15 Sept.*
Buildings, Portable wall-sections for .. .. .	E. C. Mahony .. .. .	18361	22 Aug. ..	80	29 Sept.
Burner. (See Gas-burner.)					
Butter-box .. .. .	J. Hancock and E. G. Abell .. .. .	18516	24 Sept. ..	..	..
Butter-cutter .. .. .	L. Bender .. .. .	18467	21 Sept. ..	..	..
Button-attachment .. .. .	A. Harvey .. .. .	18304	11 Aug. ..	74	1 Sept.*
Button-fastener .. .. .	C. Stringfellow .. .. .	18411	6 Sept. ..	..	..
Cabinet for preserving eggs in by vapour .. .. .	A. M. McDonald .. .. .	18398	3 Sept. ..	80	29 Sept.*
Calendar .. .. .	R. M. McLennan .. .. .	18195	18 July ..	69	18 Aug.*
Calliper and divider .. .. .	A. E. Langford .. .. .	18510	29 Sept. ..	83	13 Oct.*
Camera, Tripod-stand for .. .. .	A. McLeod .. .. .	18474	22 Sept. ..	83	13 Oct.*
Can bodies, Crimping .. .. .	G. W. Berry and J. J. Sneesby .. .. .	18479	22 Sept. ..	83	13 Oct.*
Can-seaming machine, Rotary .. .. .	G. W. Berry and J. J. Sneesby .. .. .	18508	28 Sept. ..	83	13 Oct.*
Candle-holder .. .. .	R. A. D. Sutherland and J. H. Brass .. .. .	18295	2 Aug. ..	74	1 Sept.*
Candlestick .. .. .	W. Ferrier .. .. .	17232	12 Nov., 1903	66	4 Aug.
Candles, Preventing guttering of .. .. .	T. A. Nash .. .. .	17826	25 April ..	62	21 July.
Canisters, Securing ends of tin .. .. .	G. W. Berry and J. J. Sneesby .. .. .	18480	22 Sept. ..	83	13 Oct.*
Cap for wheeled vehicle .. .. .	C. Burrige and H. Brown .. .. .	18113	4 July ..	66	4 Aug.*
Cap or hat .. .. .	G. H. Colegrove and H. Corrick .. .. .	18141	9 July ..	66	4 Aug.
Cape, Cycling .. .. .	D. McGregor .. .. .	18200	21 July ..	..	..
Car-fender .. .. .	S. White .. .. .	18342	15 Aug. ..	74	1 Sept.*
Car-indicator .. .. .	J. W. Rooney, J. B. Meiklejohn, and C. L. Watt .. .. .	18172	14 July ..	66	4 Aug.*
Car-puller, Locomotive .. .. .	The Hamilton Manufacturing Company .. .. .	18301	11 Aug. ..	77	15 Sept.
Car. (See Motor-car, Railway car.)					
Carbonic acid gas in manufacture of aerated waters, Saving .. .. .	E. P. Coulter .. .. .	18449	15 Sept. ..	80	29 Sept.*
Card. (See Playing-card, Postal reply card.)					

ALPHABETICAL LIST OF INVENTIONS—*continued.*

Invention.	Name.	Application.		Gazette.	
		No.	Date.	No.	Date.
Carrier. (See Clothes-carrier, Egg-carrier.)					
Cart, Tip.	W. F. Harwood and R. F. Way..	18320	16 Aug.	74	1 Sept.*
Cash-check, Electrical	E. Guess .. .. .	18325	17 Aug.	80	29 Sept.
Castor	C. E. E. Smith .. .. .	18188	18 July	..	..
Castor, Ball-bearing	J. H. Hickman .. .. .	18354	22 Aug.	..	..
Catamenial appliance.	E. Schulze .. .. .	18371	25 Aug.	80	29 Sept.*
Cattle, Dehorning	R. N. R. Lindsay .. .. .	18432	8 Sept.	80	29 Sept.*
Cattle, Tail-grip for	J. Robertson .. .. .	16985	11 Sept., 1903	59	7 July.
Cement for jointing pipes	W. Danks .. .. .	18117	5 July	66	4 Aug.
Centrifugal separator bowl, Inlet pipe for	A. L. Christenson .. .. .	18107	1 July	..	..
Centrifugal separator liner	P. A. M. Arnberg .. .. .	17074	7 Oct., 1903	62	21 July.
Centrifugal turbine pump	Henry R. Worthington .. .. .	18366	25 Aug.	80	29 Sept.
Centrifugal turbine pump	Henry R. Worthington .. .. .	18367	25 Aug.	80	29 Sept.
Chaff-cutter feeding-attachment	C. Murnane .. .. .	18387	1 Sept.	77	15 Sept.*
Chain drive manure-feed	J. Macalister .. .. .	17116	15 Oct., 1903	69	18 Aug.
Chains, Clasp for spreaders on	J. Holms, jun. .. .. .	18452	12 Sept.	80	29 Sept.*
Channel flap-laying machine	J. B. Hadaway .. .. .	17315	2 Dec., 1903	74	1 Sept.
Checking machine, Cash-	E. Guess .. .. .	18325	17 Aug.	80	29 Sept.
Cheque form and receipt	W. Quin .. .. .	18408	6 Sept.	80	29 Sept.*
Chess and draught board	J. Collins .. .. .	18495	26 Sept.	..	..
Children, Appliance for use by	M. Nikander .. .. .	18087	24 June	66	4 Aug.*
Chiming-machine	T. Cook .. .. .	18416	7 Sept.	83	13 Oct.
Chromo-photo lithography	A. Stephan and R. Sands .. .. .	18333	18 Aug.	77	15 Sept.
Churn	W. W. Pilkington and L. N. Nat-trass .. .. .	18380	30 Aug.	80	29 Sept.*
Churn, Rotating	S. A. Ekehorn .. .. .	18390	1 Sept.	83	13 Oct.
Cigarette mouthpiece	Standard Mouthpiece Machine Company .. .. .	18418	7 Sept.	83	13 Oct.
Cistern	W. Borlase .. .. .	18279	2 Aug.	69	18 Aug.*
Cistern, Valve for water-	R. Garnham .. .. .	18129	6 July	62	21 July.*
Clasp for spreaders on traces.	J. Holms, jun. .. .. .	18452	12 Sept.	80	29 Sept.*
Clay-remover for dredges	G. S. Stevenson .. .. .	18535	30 Sept.	83	13 Oct.*
Clay, Removing from hoes of grain-drill.	P. Nunn .. .. .	18297	11 Aug.	69	18 Aug.*
Cleaner. (See Knife-cleaner.)					
Cleaning refrigerator-pipes	R. S. Watson .. .. .	17313	2 Dec., 1903	74	1 Sept.
Clearing land, Lever-jack for	B. and W. Trehwella .. .. .	18435	6 Sept.	80	29 Sept.*
Clinch for fixing handles to buckets	A. O. and W. J. Grundy .. .. .	18441	13 Sept.	83	13 Oct.*
Clip, Paper	D. W. Bodle .. .. .	18446	14 Sept.	80	29 Sept.*
Closet, Dry earth-	W. M. Richards, C. J. Cohen, and R. Thomas .. .. .	18357	23 Aug.	77	15 Sept.*
Closet, Flush for water-	R. Paladini .. .. .	18473	22 Sept.	83	13 Oct.*
Clothes-carrier and bath-tub	W. Stevenson .. .. .	18379	30 Aug.	80	29 Sept.
Clothes-peg	C. E. H. Allen .. .. .	18374	25 Aug.	..	..
Coal-cutter and channeller-tool	F. Eisenbeis and F. Garely .. .. .	18407	6 Sept.	83	13 Oct.
Coal-dust, &c., Binding together	H. L. Mitchell, G. C. Oakley, and G. W. Goode .. .. .	18238	28 July	74	1 Sept.
Coal, Obtaining ammonium chloride from	A. G. French .. .. .	18493	21 Sept.	83	13 Oct.*
Coal-saver for register-grate	J. Hercus and W. McLennan .. .. .	18198	18 July	69	18 Aug.
Coat. (See Riding and driving coat.)					
Cock, Low-pressure	J. Mitchell .. .. .	18346	15 Aug.	80	29 Sept.
Cock, Stop	T. Ritchie .. .. .	18524	28 Sept.	83	13 Oct.*
Coin-controlled machine	R. Wales .. .. .	18251	28 July	74	1 Sept.*
Coin-controlled stamp-affixing machine	R. Wales .. .. .	18170	13 July	66	4 Aug.*
Coin freed stamping-machine	E. Moss .. .. .	18337	17 Aug.	74	1 Sept.*
Collar, Horse-	J. M. Toft .. .. .	18091	28 June	66	4 Aug.*
Collar-stud	R. Wales .. .. .	18169	13 July	69	18 Aug.*
Collar-stud	C. V. Jenkins .. .. .	18201	22 July	69	18 Aug.*
Column for building	F. Visintine .. .. .	18127	6 July	66	4 Aug.
Combination tool	W. Gray .. .. .	18094	28 June	69	18 Aug.
Combination hanger	S. W. Bonsall .. .. .	18229	28 July	74	1 Sept.
Combustible gas-generator	F. Cotton .. .. .	18166	19 July	74	1 Sept.
Controller. (See Electric-motor controller, Vehicle-wheel spread controller, Voltage-controller.)					
Cooler, Milk-	W. H. Spiller .. .. .	18291	9 Aug.	69	18 Aug.*
Cork-seal	G. S. Stevenson .. .. .	18534	30 Sept.	..	..
Coupling. (See Hose-coupling, Pipe-coupling, Railway-coupling.)					
Cover. (See Animal-cover, Book-cover, Washing-boiler cover.)					
Cow leg-roper	A. C. McNeill .. .. .	18276	4 Aug.	69	18 Aug.*
Cow leg-roper	F. J. Ellery .. .. .	17203	5 Nov., 1903	74	1 Sept.
Cradles, Automatically rooking	F. Soper .. .. .	18164	16 July	69	18 Aug.*
Cramp, Lining and flooring	A. G. Sampson .. .. .	18317	15 Aug.	74	1 Sept.*
Cramping floors, Appliance for	J. A. Nikander .. .. .	18283	3 Aug.	69	18 Aug.*
Cream-separator	H. J. Baker .. .. .	18487	23 Sept.	83	13 Oct.*
Cream-separator	G. Leach .. .. .	17159	29 Oct., 1903	74	1 Sept.
Cream-separator	W. H. Davey .. .. .	18523	29 Sept.	83	13 Oct.*
Cream-separator and milk-cooler	W. H. Spiller .. .. .	18291	9 Aug.	69	18 Aug.*
Cricket-stumps	A. Bridge .. .. .	18485	22 Sept.	..	..
Crimping can bodies	G. W. Berry and J. J. Sneesby .. .. .	18479	22 Sept.	83	13 Oct.*
Crozing and chiming machine	T. Cook .. .. .	18416	7 Sept.	83	13 Oct.

ALPHABETICAL LIST OF INVENTIONS—continued.

Invention.	Name.	Application.		Gazette.	
		No.	Date	No.	Date.
Crutches .. .. .	H. E. Johnson .. .. .	18489	20 Sept. ..	83	13 Oct.*
Cultivator .. .. .	P. and D. Duncan, Limited .. .. .	17256	16 Nov., 1903	80	29 Sept.
Cultivator-attachment to plough .. .. .	H. S. McCully .. .. .	18249	28 July ..	..	..
Curier, Hair- .. .. .	J. Allen .. .. .	18372	25 Aug. ..	80	29 Sept.
Current circuit, Controlling voltage of..	J. P. Campbell .. .. .	16865	27 Aug., 1903	59	7 July.
Current. (See Electric current, Water current.)					
Currents, River-beds, &c. Altering ..	F. R. Field .. .. .	18312	12 Aug. ..	77	15 Sept.*
Cutter. (See Angle and mitre cutter, Butter-cutter, Chaff-cutter, Coal-cutter, Lamb's-tail cutter, Mitre-cutter, Thread-cutter, Wire-cutter.)					
Cutting-out press .. .. .	A. P. Grieve .. .. .	18340	19 Aug. ..	74	1 Sept. *
Cycle .. .. .	C. D. Brent .. .. .	18428	3 Sept. ..	80	29 Sept.*
Cycle boot or shoe .. .. .	R. Weston .. .. .	18498	26 Sept. ..	..	..
Cycle, Free-wheel for .. .. .	E. Richardson .. .. .	18368	25 Aug. ..	77	15 Sept.*
Cycle handle-bar .. .. .	W. Gray .. .. .	18116	5 July ..	66	4 Aug.
Cycle-saddle .. .. .	T. G. Stevens .. .. .	17604	2 March ..	74	1 Sept.
Cycles, Throw-crank for .. .. .	J. Ritscher .. .. .	17363	11 Dec., 1903	69	18 Aug.
Cycle. (See also Bicycle.)					
Cycling-cape .. .. .	D. McGregor .. .. .	18200	21 July ..	..	..
Decanter .. .. .	J. Callaghan, J. H. McQueen, and J. Watson .. .. .	18122	2 July ..	69	18 Aug.*
Dehorning cattle .. .. .	R. N. R. Lindsay .. .. .	18432	8 Sept. ..	80	29 Sept.*
Dentist's drill, Driving .. .. .	W. G. Stoddart .. .. .	18145	8 July ..	62	21 July.*
Destination of cars, trains, &c., indicating	J. W. Rooney, J. B. Meiklejohn, and C. L. Watt .. .. .	18172	14 July ..	66	4 Aug.*
Diamond-drill boring apparatus .. .. .	T. Smith .. .. .	17400	21 Dec., 1903	69	18 Aug.
Digger, Potato- .. .. .	F. W. Lee .. .. .	18184	21 July ..	69	18 Aug.*
Dining and billiard table combined .. .. .	W. Stevenson .. .. .	18307	29 June ..	74	1 Sept.
Dining and billiard table combined .. .. .	W. Stevenson .. .. .	17874	2 May ..	77	15 Sept.
Dirt-screen for motor-cars .. .. .	W. H. Payne .. .. .	18259	2 Aug. ..	69	18 Aug.
Disc-plough .. .. .	R. Cleghorn and G. M. Nelson .. .. .	18507	28 Sept. ..	83	13 Oct.*
Diseases, Apparatus for treating	A. P. Richmond .. .. .	18330	17 Aug. ..	80	29 Sept.
Distributor. (See Fertiliser - distributor, Grain-drill distributor.)					
Divider .. .. .	R. M. McLennan .. .. .	18350	19 Aug. ..	74	1 Sept.*
Divider and calliper .. .. .	A. E. Langford .. .. .	18510	29 Sept. ..	83	13 Oct.*
Dividing discrete material equally .. .. .	R. Wales .. .. .	18177	15 July ..	69	18 Aug.*
Dividing discrete material equally .. .. .	R. Wales .. .. .	18178	15 July ..	69	18 Aug.*
Dividing discrete material equally .. .. .	R. Wales .. .. .	18194	18 July ..	69	18 Aug.*
Dock, Raising floating- .. .. .	J. Baker .. .. .	18211	23 July ..	..	..
Door, Draught, &c., preventer for .. .. .	F. J. Jones .. .. .	18213	26 July ..	74	1 Sept.
Door-holder .. .. .	E. G. May .. .. .	18167	19 July ..	69	18 Aug.
Door-lock .. .. .	A. Speden .. .. .	18223	25 July ..	69	18 Aug.*
Door-lock .. .. .	J. Shepherd .. .. .	18424	5 Sept. ..	77	15 Sept.*
Door-lock .. .. .	E. E. Hannaford .. .. .	18468	21 Sept. ..	80	29 Sept.*
Drainpipe connection .. .. .	H. S. Woolcott .. .. .	17332	7 Dec., 1903	74	1 Sept.
Drain-plough .. .. .	J. Williams .. .. .	17094	7 Oct., 1903	69	18 Aug.
Draught and chess board .. .. .	J. Collins .. .. .	18495	26 Sept. ..	..	..
Draught-increaser for furnace .. .. .	W. H. Atkin .. .. .	17214	5 Nov., 1903	74	1 Sept.
Draught-preventer for door .. .. .	F. J. Jones .. .. .	18213	26 July ..	74	1 Sept.
Draught-regulator for grates, &c. .. .. .	B. J. Mouat .. .. .	18515	24 Sept. ..	..	..
Draught-regulator for register-grate .. .. .	J. Hercus and W. McLennan .. .. .	18198	18 July ..	69	18 Aug.
Drawers, Furniture- .. .. .	G. S. Stevenson .. .. .	18533	30 Sept. ..	..	..
Drawing table and easel .. .. .	W. E. Spencer and J. Sanderson .. .. .	17911	14 May ..	66	4 Aug.
Draw-off tap for kerosene-tin .. .. .	W. E. Hughes .. .. .	16873	27 Aug., 1903	66	4 Aug.
Dray, Tip-cart and .. .. .	P. and D. Duncan, Limited .. .. .	18124	4 July ..	62	21 July.*
Dredge, Clay-remover for .. .. .	G. S. Stevenson .. .. .	18535	30 Sept. ..	83	13 Oct.*
Dredge. (See also Bucket-dredge, Gold-dredge.)					
Dredging and excavating machinery .. .. .	H. Quertier .. .. .	18306	11 Aug. ..	74	1 Sept.*
Dredging machinery, Suction .. .. .	F. Casey and E. W. Hubbard .. .. .	18463	20 Sept. ..	80	29 Sept.*
Drill. (See Dentist's drill, Diamond-drill, Fertiliser-drill, Grain-drill, Rock-drill.)					
Driving and riding coat .. .. .	E. M. Perdriau .. .. .	17161	24 Oct., 1903	69	18 Aug.
Driving mechanism of fertiliser-distributor	J. F. McNeil .. .. .	18242	28 July ..	77	15 Sept.
Dropper. (See Fencing-dropper.)					
Drying blood .. .. .	A. and F. J. Nathan and J. A. Merrett .. .. .	18106	1 July ..	66	4 Aug.*
Drying blood, &c. .. .. .	A. and F. J. Nathan and J. A. Merrett .. .. .	18261	2 Aug. ..	69	18 Aug.*
Drying-frame for shrinkable clothing .. .. .	T. C. Stewart .. .. .	18171	13 July ..	66	4 Aug.*
Drying granular materials .. .. .	M. Weinrich .. .. .	18415	7 Sept. ..	83	13 Oct.
Drying timber, Kiln for .. .. .	F. J. Jones .. .. .	17285	28 Nov., 1903	74	1 Sept.
Dust-excluder for door .. .. .	F. J. Jones .. .. .	18213	26 July ..	74	1 Sept.
Dynamo .. .. .	Electric and Train Lighting Syndicate, Limited .. .. .	17951	25 May ..	66	4 Aug.
Easel and drawing table .. .. .	W. E. Spencer and J. Sanderson .. .. .	17911	14 May ..	66	4 Aug.
Egg-carrier .. .. .	J. G. Dawson .. .. .	18382	27 Aug. ..	77	15 Sept.*
Egg-preserving cabinet .. .. .	A. M. McDonald .. .. .	18398	3 Sept. ..	80	29 Sept.*
Eggs, Indicator for timing the cooking of eggs, &c.	J. Claussen .. .. .	18445	14 Sept. ..	80	29 Sept.*

ALPHABETICAL LIST OF INVENTIONS—*continued.*

Invention.	Name.	Application.		Gazette.	
		No.	Date.	No.	Date.
Electric arc-lamp .. .. .	H. Becke .. .. .	18512	28 Sept. ..	..	..
Electric arc-lamp regulator .. .. .	J. C. P. Kirkwood .. .. .	18377	29 Aug. ..	77	15 Sept.*
Electric-belt .. .. .	H. Dowling and E. D. J. Balfour .. .. .	18483	22 Sept. ..	..	..
Electric current, Killing birds by .. .. .	H. Wilson .. .. .	18497	26 Sept. ..	83	13 Oct.*
Electric-generator, Voltage-controller for .. .. .	Electric and Train Lighting Syndicate, Limited	17953	25 May ..	66	4 Aug.
Electric-machine, Brush-holder for .. .. .	Electric and Train Lighting Syndicate, Limited	17952	25 May ..	66	4 Aug.
Electric-motor controller .. .. .	J. T. Hunter .. .. .	18290	9 Aug. ..	77	15 Sept.
Electrical cash-check .. .. .	E. Guess .. .. .	18325	17 Aug. ..	80	29 Sept.
Electrical device for destroying slugs .. .. .	G. Foster .. .. .	17307	25 Nov., 1903	74	1 Sept.
Electrically-propelled vehicle .. .. .	J. S. Raworth .. .. .	18376	20 Aug. ..	80	29 Sept.
Elevator, Gravel .. .. .	T. Samuel .. .. .	18403	5 Sept. ..	77	15 Sept.*
Elevator, Safety-appliance for shafts of .. .. .	W. P. Conolly .. .. .	18511	29 Sept. ..	..	..
Engine. (See Oil-engine, Rotary-engine, Steam-engine.)					
Envelope .. .. .	D. Robertson .. .. .	18518	24 Sept. ..	83	13 Oct.*
Envelope-opener .. .. .	H. Mowlem .. .. .	18207	9 Aug. ..	77	15 Sept.*
Excavating machinery .. .. .	H. Quertier .. .. .	18306	11 Aug. ..	74	1 Sept.*
Exhibitor. (See Advertising exhibitor.)					
Extinguisher. (See Gaslight-extinguisher, Oil-lamp extinguisher.)					
Fastener. (See Basket-lid fastener, Button-fastener, Machine-belt fastener, Window-fastener.)					
Fastening. (See Animal-cover fastening, Bridle-fastening.)					
Fatty wood, Treating for production of paper-pulp, &c. .. .. .	W. Hoskins .. .. .	18500	28 Sept. ..	..	..
Feed, Chain-drive manure- .. .. .	J. Macalister .. .. .	17116	15 Oct., 1903	69	18 Aug.
Feed-trough .. .. .	J. Scoon .. .. .	18264	3 Aug. ..	74	1 Sept.
Feeder. (See Ore-feeder.)					
Feeding-attachment for chaff-cutter .. .. .	C. Murnane .. .. .	18387	1 Sept. ..	77	15 Sept.*
Feeding-funnel .. .. .	H. Jerger and A. Joyce .. .. .	17873	2 May ..	66	4 Aug.*
Fencing-post .. .. .	R. Thomas and G. Hall .. .. .	18331	15 Aug. ..	..	..
Fencing-standard .. .. .	G. W. Basley .. .. .	18139	5 July ..	66	4 Aug.
Fencing-standard .. .. .	W. E. Chamberlain .. .. .	18316	15 Aug. ..	74	1 Sept.*
Fencing standard or dropper .. .. .	C. E. H. Allen .. .. .	18373	25 Aug. ..	83	13 Oct.
Fender, Car .. .. .	S. White .. .. .	18342	15 Aug. ..	74	1 Sept.*
Fermentation of liquids .. .. .	G. Johnson and P. R. Hare .. .. .	17795	4 May, 1903†	69	18 Aug.
Fertiliser-distributor .. .. .	J. F. McNeil .. .. .	18242	28 July ..	77	15 Sept.
Fertiliser-drill, Conductor for .. .. .	J. Gray .. .. .	18427	3 Sept. ..	80	29 Sept.*
Fertiliser-press .. .. .	A. Crook .. .. .	18266	1 Aug. ..	69	18 Aug.*
Fibre. (See Flax.)					
Filaments, Manufacture of .. .. .	W. R. Whitney .. .. .	18503	28 Sept. ..	..	..
File. (See Letter-file, Newspaper-file.)					
Filling. (See Bottle-filling, Match-box filling.)					
Filter .. .. .	G. A. Abbott .. .. .	18393	1 Sept. ..	77	15 Sept.*
Filter for feed-water of steam-boiler .. .. .	F. G. Shury .. .. .	18154	25 May ..	66	4 Aug.
Filtering granular materials .. .. .	M. Weinrich .. .. .	18415	7 Sept. ..	83	13 Oct.
Filtering liquids or solutions .. .. .	F. C. Brown .. .. .	18349	17 Aug. ..	74	1 Sept.*
Fire-alarm .. .. .	E. H. Kirkby .. .. .	18476	22 Sept. ..	83	13 Oct.*
Fire-alarm bells, Actuating .. .. .	T. F. Dowling .. .. .	17134	22 Oct., 1903	69	18 Aug.
Fire and hearth screen .. .. .	C. E. E. Smith and G. B. Hutton .. .. .	18187	18 July ..	..	..
Fire-lighter .. .. .	P. E. Thompson .. .. .	18440	9 Sept. ..	83	13 Oct.*
Fire-resisting building-material .. .. .	H. C. Field .. .. .	18431	8 Sept. ..	80	29 Sept.*
Fire-tongs .. .. .	F. W. Grocke .. .. .	18305	11 Aug. ..	74	1 Sept.*
Fish-hook .. .. .	K. Boyd .. .. .	18288	4 Aug. ..	74	1 Sept.*
Flap-laying machine, Channel .. .. .	J. B. Hadaway .. .. .	17315	2 Dec., 1903	74	1 Sept.
Flashlight apparatus .. .. .	H. Quertier and C. C. Armstrong .. .. .	18257	1 Aug. ..	69	18 Aug.*
Flashlight-powder .. .. .	C. C. Armstrong and H. Quertier .. .. .	18258	1 Aug. ..	69	18 Aug.*
Flax-dressing apparatus .. .. .	F. Henry .. .. .	18383	31 Aug. ..	77	15 Sept.*
Flax-fibre, Catching as it comes from stripper .. .. .	A. I. Jones .. .. .	18162	16 July ..	66	4 Aug.*
Flax-scutcher .. .. .	A. R. Ayson .. .. .	18248	30 July ..	69	18 Aug.*
Flax-scutcher .. .. .	J. Geddes .. .. .	18335	19 Aug. ..	74	1 Sept.*
Flax-stripper .. .. .	A. R. Ayson .. .. .	18202	22 July ..	69	18 Aug.*
Flax-stripper .. .. .	A. Anderson .. .. .	18321	13 Aug. ..	77	15 Sept.*
Flax-stripper .. .. .	W., J., and W. Fairweather .. .. .	18353	20 Aug. ..	80	29 Sept.*
Flax-washing machine .. .. .	R. McEwan .. .. .	18417	7 Sept. ..	77	15 Sept.*
Flooring and lining cramp .. .. .	A. G. Sampson .. .. .	18317	15 Aug. ..	74	1 Sept.*
Flooring for bridges, buildings, &c. .. .. .	T. Timmins and R. Taylor .. .. .	18401	31 Aug. ..	77	15 Sept.*
Floors, Appliance for cramping .. .. .	J. A. Nikander .. .. .	18283	3 Aug. ..	69	18 Aug.*
Floors, Spreading polish on .. .. .	J. Stewart .. .. .	18400	5 Sept. ..	77	15 Sept.*
Flush, Water-closet .. .. .	R. Paladini .. .. .	18473	22 Sept. ..	83	13 Oct.*
Forcing-pen .. .. .	D. Clark .. .. .	18121	1 July ..	66	4 Aug.
Frame. (See Drying-frame, Window-frame.)					
Franking apparatus, Coin-freed .. .. .	E. Moss .. .. .	18337	17 Aug. ..	74	1 Sept.*



ALPHABETICAL LIST OF INVENTIONS—continued.

Invention.	Name.	Application.		Gazette.	
		No.	Date.	No.	Date.
Free-wheel for cycles .. .. .	E. Richardson .. .. .	18368	25 Aug. ..	77	15 Sept.*
Fruit-gathering appliance .. .. .	O. T. Madeley .. .. .	18451	15 Sept. ..	80	29 Sept.*
Fruit, Sulphurising .. .. .	C. E. Lowe .. .. .	16996	18 Sept., 1903	66	4 Aug.
Fruit-trees, Killing parasites on .. .. .	R. Whiley .. .. .	18208	25 July ..	69	18 Aug.*
Fruit-trees, Pruning-tool for .. .. .	O. T. Madeley .. .. .	18477	22 Sept. ..	83	13 Oct.*
Frying, Stove-protector for use in .. .. .	W. F. Rankin .. .. .	18163	16 July ..	69	18 Aug.*
Fuel, Combustion of, in boilers.. .. .	C. E. Bernays .. .. .	18293	9 Aug. ..	77	15 Sept.
Fuel-economiser and smoke-preventer .. .. .	A. L. Applegarth .. .. .	17108	13 Oct., 1903	69	18 Aug.
Funnel, Feeding- .. .. .	H. Jerger and A. Joyce .. .. .	17873	2 May ..	66	4 Aug.*
Furnace .. .. .	W. H. Atkin .. .. .	17214	5 Nov., 1903	74	1 Sept.
Furnace, Refuse- .. .. .	G. and F. L. Watson .. .. .	18230	28 July ..	74	1 Sept.
Furnaces, &c., Heating .. .. .	F. J. Shelton .. .. .	17308	28 Nov., 1903	77	15 Sept.
Furniture-drawers .. .. .	G. S. Stevenson .. .. .	18533	30 Sept. ..	..	..
Game .. .. .	J. H. Rowland .. .. .	18492	24 Sept. ..	..	..
Game of bridge, Marker for .. .. .	D. H. Morrison .. .. .	18292	9 Aug. ..	77	15 Sept.
Game, Parlour- .. .. .	I. Williams .. .. .	18180	19 July ..	74	1 Sept.*
Garment-suspender .. .. .	W. Sneddon .. .. .	18260	2 Aug. ..	69	18 Aug.*
Gas. (See Acetylene gas, Carbonic-acid gas, Combustible gas, Incandescent gas, Producer and water gas.)					
Gas-burner for lighting or heating, Incandescent .. .. .	I. Shoob .. .. .	18287	9 Aug. ..	77	15 Sept.
Gas-burner, Regulator for extinguishing and relighting .. .. .	O. M. J. Olsen and W. Gates .. .. .	18391	1 Sept. ..	83	13 Oct.
Gas-burner, Utilising waste-heat from .. .. .	J. Watt .. .. .	18221	27 July ..	69	18 Aug.*
Gas-burner, Welsbach incandescent .. .. .	J. Hickman .. .. .	18119	5 July ..	69	18 Aug.*
Gas-fire ball-heater .. .. .	J. Watt .. .. .	18414	6 Sept. ..	83	13 Oct.*
Gas-light extinguisher .. .. .	M. W. Haenke .. .. .	18114	4 July ..	66	4 Aug.
Gas, Low-pressure inflammable .. .. .	A. A. Stephenson .. .. .	18181	19 July ..	69	18 Aug.*
Gas-producer .. .. .	J. G. Nash .. .. .	18273	4 Aug. ..	77	15 Sept.
Gas-stove .. .. .	J. J. Strain .. .. .	18222	25 July ..	74	1 Sept.
Gas-stove .. .. .	J. J. Strain .. .. .	18296	9 Aug. ..	74	1 Sept.
Gas used for destroying rabbits .. .. .	T. Ward, G. S. Sanders, and J. E. Ridgway .. .. .	18509	28 Sept. ..	83	13 Oct.*
Gate .. .. .	J. F. McNeill .. .. .	18369	25 Aug. ..	80	29 Sept.
Gate-latch .. .. .	G. E. C. F. Sander .. .. .	18192	21 July ..	..	..
Gate-post falls .. .. .	J. H. Smith .. .. .	18469	22 Sept. ..	..	..
Gauge. (See Water-gauge, Wind-gauge.)					
Generator. (See Acetylene-gas generator, Combustible-gas generator, Electric generator.)					
Girder, Lattice or truss .. .. .	F. Visintini .. .. .	18127	6 July ..	66	4 Aug.
Glove for laundry purposes .. .. .	C. H. Schultz .. .. .	18332	15 Aug. ..	77	15 Sept.*
Gold-dredge screen .. .. .	A. Morrison .. .. .	18135	7 July ..	66	4 Aug.
Gold, &c., Recovering, from slimes .. .. .	A. Clark and J. Storer .. .. .	18457	14 Sept. ..	80	29 Sept.*
Gold from ores, Extracting .. .. .	Worsey-Hoal Gold Extracting Syndicate, Limited .. .. .	18225	28 July ..	69	18 Aug.
Gold from ores, Extracting .. .. .	O. L. Olden and P. V. Barnard .. .. .	17810	21 April ..	74	1 Sept.
Gold-saving apparatus .. .. .	W. Beamish .. .. .	18168	13 July ..	66	4 Aug.*
Gold-saving apparatus .. .. .	M. Ryan .. .. .	18434	9 Sept. ..	80	29 Sept.*
Grain-dressing appliance .. .. .	R. H. Binney .. .. .	18355	23 Aug. ..	77	15 Sept.*
Grain-drill distributor .. .. .	American Seeding-machine Company .. .. .	18204	20 July ..	83	13 Oct.
Grain-drill, Removing clay from hoes of .. .. .	P. Nunn .. .. .	18297	11 Aug. ..	69	18 Aug.*
Gramophone sound-box, Supplying needles to .. .. .	H. M. and A. C. Dennes .. .. .	18438	12 Sept. ..	80	29 Sept.*
Granular materials, Filtering and drying .. .. .	M. Weinrich .. .. .	18415	7 Sept. ..	83	13 Oct.
Grate, Draught-regulator for .. .. .	B. J. Mouat .. .. .	18515	24 Sept. ..	..	..
Grate, Draught-regulator for register- .. .. .	J. Hercus and W. McLennan .. .. .	18198	18 July ..	69	18 Aug.
Gravel or sand elevator, Auriferous .. .. .	T. Samuel .. .. .	18403	5 Sept. ..	77	15 Sept.*
Greenhouses, &c., Sash-bar for .. .. .	A. P. Westbury and F. Lee .. .. .	18262	3 Aug. ..	69	18 Aug.*
Gripper. (See Lever-gripper.)					
Groin. (See River and sea groin.)					
Grubbing and hilling-up tool .. .. .	C. V. Johanson .. .. .	18138	7 July ..	66	4 Aug.*
Guard. (See Sink-guard.)					
Gum. (See Kauri-gum.)					
Hair-curler .. .. .	J. Allen .. .. .	18372	25 Aug. ..	80	29 Sept.
Hair-pin .. .. .	C. D. Brent .. .. .	16986	11 Sept., 1903	59	7 July.
Hand-power jack .. .. .	J. H. C. Hall .. .. .	18343	17 Aug. ..	74	1 Sept.*
Hand-truck, Elevating .. .. .	D. H. K. McGuinness .. .. .	18475	22 Sept. ..	83	13 Oct.*
Handle and lid-opener for billy .. .. .	M. Aldis .. .. .	18247	26 July ..	69	18 Aug.*
Handle-bar of cycle .. .. .	W. Gray .. .. .	18116	5 July ..	66	4 Aug.
Handle to bucket, Clinch for fixing .. .. .	A. O. and W. J. Grundy .. .. .	18441	13 Sept. ..	83	13 Oct.*
Hanger. (See Combination hanger, Sash-hanger.)					
Harness saddle .. .. .	E. Edwards .. .. .	17093	9 Oct., 1903	66	4 Aug.
Harness, Shaft-tug for .. .. .	J. Theobald .. .. .	18458	17 Sept. ..	80	29 Sept.*
Hat or cap .. .. .	G. H. Colegrove and H. Corrick .. .. .	18141	9 July ..	66	4 Aug.
Hay-press, Operating .. .. .	T. H. and E. K. Dodge .. .. .	18123	4 July ..	62	21 July.*
Heat from oil-lamp, Utilising waste- .. .. .	J. Watt .. .. .	18221	27 July ..	69	18 Aug.*

## ALPHABETICAL LIST OF INVENTIONS—continued.

Invention.	Name.	Application.		Gazette.	
		No.	Date.	No.	Date.
Heater, Gas-fire ball .. .. .	J. Watt .. .. .	18414	6 Sept. ..	83	13 Oct.*
Heating and motive power .. .. .	A. A. Stephenson .. .. .	18181	19 July ..	69	18 Aug.*
Heating-apparatus .. .. .	F. F. C. Huddleston .. .. .	18203	23 July ..	69	18 Aug.*
Heating kitchen-range, &c. .. .. .	F. J. Shelton .. .. .	17308	28 Nov., 1903	77	15 Sept.
Heel-compressing machine, Mould for .. .. .	United Shoe Machinery Company	18298	11 Aug. ..	69	18 Aug.*
Heel-compressing machine, Mould for .. .. .	United Shoe Machinery Company	18299	11 Aug. ..	69	18 Aug.*
Heel-compressing machine, Mould for .. .. .	United Shoe Machinery Company	18300	11 Aug. ..	74	1 Sept.*
Heel. (See Rubber heel.)					
Heels and soles, Elastic attachment for .. .. .	T. Burrell .. .. .	18395	1 Sept. ..	83	13 Oct.
Hilling machine, Potato planting and .. .. .	C. Johanson .. .. .	18513	27 Sept. ..	..	..
Holder for toasting bread .. .. .	R. E. Smallbone .. .. .	18254	1 Aug. ..	77	15 Sept.
Holder. (See Brush-holder, Candle-holder, Door-holder, Playing-card holder, Thread-holder, Window-sash holder.)					
Hook for reins, traces, &c. .. .. .	A. Reid .. .. .	18409	6 Sept. ..	77	15 Sept.*
Hook. (See also Breeching-strap hook, Fish-hook.)					
Horse-collar, Pneumatic .. .. .	J. M. Toft .. .. .	18091	28 June ..	66	4 Aug.*
Horse. (See Racehorse.)					
Hose-coupling .. .. .	H. Duffin .. .. .	16897	1 Sept., 1903	62	21 July.
Hose-coupling .. .. .	W. E. Hughes .. .. .	16989	17 Sept., 1903	66	4 Aug.
Hose-coupling .. .. .	J. Marks .. .. .	17359	8 Dec., 1903	77	15 Sept.
Hull of ship, Stopping holes in .. .. .	E. Smith .. .. .	17010	18 Sept., 1903	59	7 July.
Hydraulic-power from waves, Obtaining	W. O'Brien, jun. .. .. .	18160	15 July ..	69	18 Aug.*
Implement-pin, Self-locking .. .. .	J. W. Borland .. .. .	18185	21 July ..	69	18 Aug.*
Incandescent gas-burner .. .. .	I. Shoob .. .. .	18287	9 Aug. ..	77	15 Sept.
Incandescent gas-burner, Utilising waste-heat from	J. Watt .. .. .	18221	27 July ..	69	18 Aug.*
Incandescent gas-burner, Welsbach .. .. .	J. Hickman .. .. .	18119	5 July ..	69	18 Aug.*
Incandescent mantle-support .. .. .	The New Inverted Incandescent Gas Lamp Company, Limited	18326	17 Aug. ..	..	..
Incubator .. .. .	W. Ponninghaus .. .. .	18216	22 July ..	69	18 Aug.*
Indicating expiration of predetermined period of time	J. Claussen .. .. .	18445	14 Sept. ..	80	29 Sept.*
Indicator for bridle for racehorse .. .. .	T. B. O'Connor .. .. .	18152	14 July ..	66	4 Aug.*
Indicator for land or sea, Position-Indicator. (See also Car-indicator, Station-indicator, Train-indicator.)	H. S. Clark and R. Logan, jun. ..	18174	19 July ..	66	4 Aug.
Inhaler, Nasal .. .. .	C. E. Lamont .. .. .	18351	19 Aug. ..	77	15 Sept.*
Insulator. (See Piano-insulator.)					
Iron and steel, Treating ore for manufacture of	M. Moore and T. J. Heskett .. .. .	17425	30 Dec., 1903	77	15 Sept.
Iron building-material .. .. .	F. G. Rickard .. .. .	18472	22 Sept. ..	..	..
Iron-ore, Reducing pulverised .. .. .	J. H. A. McPhee .. .. .	18490	20 Sept. ..	..	..
Jack. (See Hand-power jack, Lever-jack, Wheel-jack.)					
Joints in pipes, Making union- .. .. .	J. Christie .. .. .	18532	30 Sept. ..	..	..
Kauri-gum, Device for catching .. .. .	A. J. McPharlin .. .. .	18182	20 July ..	69	18 Aug.
Kauri-gum, Method for digging .. .. .	P. Lanigan .. .. .	18318	13 Aug. ..	74	1 Sept.*
Kerosene-tin, Converting, into bucket .. .. .	S. D. Currie .. .. .	18142	9 July ..	66	4 Aug.*
Kerosene-tin, Draw-off tap for .. .. .	W. E. Hughes .. .. .	16873	27 Aug., 1903	66	4 Aug.
Kiln for drying timber .. .. .	F. J. Jones .. .. .	17285	28 Nov., 1903	74	1 Sept.
Knife-cleaner .. .. .	W. C. Wall and J. T. Toohey .. .. .	17690	23 March ..	69	18 Aug.
Knife-cleaner .. .. .	F. V. Raymond .. .. .	18140	5 July ..	66	4 Aug.*
Label and case, Luggage .. .. .	A. E. Williams .. .. .	18482	22 Sept. ..	..	..
Label attaching machine, Gummed- .. .. .	J. J. McDade .. .. .	18386	1 Sept. ..	83	13 Oct.
Ladder-attachment .. .. .	F. W. Stokoe .. .. .	18345	20 Aug. ..	80	29 Sept.
Lamb's-tail cutter .. .. .	W. J. Standen .. .. .	17322	2 Dec., 1903	80	29 Sept.
Lamp. (See Electric arc-lamp, Oil-lamp.)					
Latch, Gate- .. .. .	G. E. C. F. Sander .. .. .	18192	21 July ..	..	..
Lattice or truss girder .. .. .	F. Visintini .. .. .	18127	6 July ..	66	4 Aug.
Launching ship's boats .. .. .	W. S. Rigby .. .. .	18153	14 July ..	66	4 Aug.*
Laundry-glove .. .. .	C. H. Schultz .. .. .	18332	15 Aug. ..	77	15 Sept.*
Lead and zinc, Extraction of .. .. .	A. H. Imbert .. .. .	18112	30 June ..	66	4 Aug.
Leaks in metal vessels, Repairing .. .. .	A. Hull .. .. .	17252	17 Nov., 1903	77	15 Sept.
Leather, Rendering, waterproof .. .. .	S. Nicolson .. .. .	18514	28 Sept. ..	83	13 Oct.*
Leather strips to tires, Attaching .. .. .	S. Nicolson .. .. .	18197	19 July ..	69	18 Aug.*
Leg-roping cows .. .. .	A. C. McNeill .. .. .	18276	4 Aug. ..	69	18 Aug.*
Leg-roping cows .. .. .	F. J. Ellery .. .. .	17203	5 Nov., 1903	74	1 Sept.
Letter-file .. .. .	J. Wilson .. .. .	18125	4 July ..	62	21 July.*
Letters, Coin freed apparatus for franking	E. Moss .. .. .	18337	17 Aug. ..	74	1 Sept.*
Letters, Press-copying .. .. .	L. Banks .. .. .	18280	5 Aug. ..	74	1 Sept.
Lever-gripper for ore-feeder .. .. .	C. F. Strauss .. .. .	18131	7 July ..	66	4 Aug.
Lever-jack for clearing land .. .. .	B. and W. Trehwella .. .. .	18435	6 Sept. ..	80	29 Sept.*
Lid. (See Basket-lid.)					
Lid-opener and handle for billy .. .. .	M. Aldis .. .. .	18247	26 July ..	69	18 Aug.*
Lidded receptacle .. .. .	E. W. H. Dyer .. .. .	18309	8 Aug. ..	74	1 Sept.*
Lighter. (See Fire-lighter.)					
Lighting and extinguishing gas-lights .. .. .	M. W. Haenke .. .. .	18114	4 July ..	66	4 Aug.
Lining and flooring cramp .. .. .	A. G. Sampson .. .. .	18317	15 Aug. ..	74	1 Sept.*
Liquid, Withdrawing from siphon predetermined amount of	E. Taylor .. .. .	18447	15 Sept. ..	80	29 Sept.*

ALPHABETICAL LIST OF INVENTIONS—continued.

Invention.	Name.	Application.		Gazette.	
		No.	Date.	No.	Date.
Liquid-strainer .. .. .	A. J. Hosier, A. Whatley, and W. Kelly	18128	6 July .. ..	..	..
Liquids, Fermentation of .. .. .	G. Johnson and P. R. Hare .. ..	17795	4 May, 1903†	69	18 Aug.
Liquids from barrels, Drawing .. ..	J. Bennett and J. Friezer .. ..	18272	4 Aug. .. ..	69	18 Aug.*
Liquids or solutions, Filtering .. ..	F. C. Brown .. ..	18349	17 Aug. .. ..	74	1 Sept.*
Liquids, Separating solid matter from .. ..	M. Torrente .. ..	18450	15 Sept. .. ..	80	29 Sept.*
Lithography, Photo- .. .. .	A. Stephan and R. Sands .. ..	18333	18 Aug. .. ..	77	15 Sept.
Loading gravel into trucks .. .. .	R. A. Wilson .. ..	16895	1 Sept., 1903	69	18 Aug.
Loading-machine .. .. .	The Hamilton Manufacturing Company	18302	11 Aug. .. ..	77	15 Sept.
Loading machine, Ore- .. .. .	T. M. Park .. ..	18323	17 Aug. .. ..	80	29 Sept.
Lock. (See Door-lock, Safe-lock, Sash-lock, Window-sash lock.)					
Locomotive-car puller .. .. .	The Hamilton Manufacturing Company	18301	11 Aug. .. ..	77	15 Sept.
Log-hauling pulley-block .. .. .	A. W. Collett and C. B. and E. M. Edkins	18148	12 July .. ..	62	21 July.*
Lubricator for idle pinions .. .. .	E. H. Nankivell .. ..	17335	3 Dec., 1903	80	29 Sept.
Luggage label and case .. .. .	A. E. Williams .. ..	18482	22 Sept. .. ..	..	..
Machine-belt fastener .. .. .	N. Rasmussen .. ..	18356	23 Aug. .. ..	77	15 Sept.*
Mailing-wrapper for photographs, &c. .. ..	G. S. Jones .. ..	17847	26 April .. ..	69	18 Aug.*
Mangold, &c., sower .. .. .	J. Gray .. ..	18496	26 Sept. .. ..	83	13 Oct.*
Mantle. (See Incandescent mantle.)					
Manure-feed, Chain-drive .. .. .	J. Macalister .. ..	17116	15 Oct., 1903	69	18 Aug.
Marker for game of bridge .. .. .	D. H. Morrison .. ..	18292	9 Aug. .. ..	77	15 Sept.
Marking or branding stamp .. .. .	A. McLeod .. ..	18315	11 Aug. .. ..	74	1 Sept.*
Match-box filling-machine .. .. .	Bryant and May, Limited .. ..	18235	28 July .. ..	74	1 Sept.
Match, Double-headed .. .. .	A. McArtney .. ..	18239	22 July .. ..	69	18 Aug.*
Match-striker for pipe, &c. .. .. .	S. W. Jameson .. ..	18471	20 Sept. .. ..	83	13 Oct.*
Material, Dividing, into equal portions .. ..	R. Wales .. ..	18177	15 July .. ..	69	18 Aug.*
Material, Dividing, into equal portions .. ..	R. Wales .. ..	18178	15 July .. ..	69	18 Aug.*
Material, Dividing, into equal portions .. ..	R. Wales .. ..	18194	18 July .. ..	69	18 Aug.*
Material, Packeting, in predetermined portions	R. Wales .. ..	18244	26 July .. ..	69	18 Aug.*
Mattress. (See Wire-mattress.)					
Meat, Process for preserving .. .. .	J. Craveri .. ..	18322	17 Aug. .. ..	..	..
Metal vessel, Repairing leaks in .. .. .	A. Hull .. ..	17252	17 Nov., 1903	77	15 Sept.
Metals, Extracting, from their sulphides .. ..	A. H. Imbert .. ..	18112	30 June .. ..	66	4 Aug.
Metals, Recovering, from acid solutions .. ..	A. Gutensohn .. ..	18232	28 July .. ..	69	18 Aug.*
Milk-cooler .. .. .	W. H. Spiller .. ..	18291	9 Aug. .. ..	69	18 Aug.*
Milk, &c., Drying .. .. .	A. and F. J. Nathan, and J. A. Merrett	18261	2 Aug. .. ..	69	18 Aug.*
Milk, Separating impurities from .. .. .	A. A. Turner, and J. J. Gleeson .. ..	18404	5 Sept. .. ..	77	15 Sept.*
Milk-strainer .. .. .	R. E. James .. ..	18536	2 Aug. .. ..	83	13 Oct.
Milking-apparatus .. .. .	J. Hartnett and D. M. Robison .. ..	18303	11 Aug. .. ..	..	..
Milking-machinery .. .. .	G. Hutchinson .. ..	18165	16 July .. ..	66	4 Aug.*
Milking-machine .. .. .	A. Kilborn .. ..	18324	17 Aug. .. ..	77	15 Sept.*
Mining-machine .. .. .	W. E. Hamilton .. ..	18504	28 Sept. .. ..	..	..
Mitre-cutter .. .. .	R. Wales .. ..	18311	9 Aug. .. ..	74	1 Sept.*
Mitre-cutter .. .. .	J. H. Hickman .. ..	18375	26 Aug. .. ..	77	15 Sept.*
Motion, Transmission of .. .. .	L. Buck .. ..	18327	17 Aug. .. ..	80	29 Sept.
Motor. (See Electric motor.)					
Motor-car, Dirt-screen for .. .. .	W. H. Payne .. ..	18259	2 Aug. .. ..	69	18 Aug.
Mould for building-block .. .. .	J. A. Ferguson .. ..	18419	7 Sept. .. ..	83	13 Oct.
Mould for heel-compressing machine .. .. .	United Shoe Machinery Company	18298	11 Aug. .. ..	69	18 Aug.*
Mould for heel-compressing machine .. .. .	United Shoe Machinery Company	18299	11 Aug. .. ..	69	18 Aug.*
Mould for heel-compressing machine .. .. .	United Shoe Machinery Company	18300	11 Aug. .. ..	74	1 Sept.*
Moulding-machine, Twist .. .. .	R. Cosslett .. ..	18433	5 Sept. .. ..	80	29 Sept.*
Moulding-machine, Pipe .. .. .	P. Campbell .. ..	18529	27 Sept. .. ..	..	..
Mounting for rotary-scraper on agricultural implements	A. E. Watson .. ..	17216	6 Nov. 1903	69	18 Aug.
Mouth-piece for cigarette, &c... .. .	Standard Mouth-piece Machine Company	18418	7 Sept. .. ..	83	13 Oct.
Muller and amalgamator .. .. .	W. G. Rifenburg .. ..	18271	4 Aug. .. ..	77	15 Sept.
Nail .. .. .	J. S. Nicholson .. ..	18439	8 Sept. .. ..	83	13 Oct.*
Nailing-machine, Loose .. .. .	United Shoe Machinery Company	17380	17 Dec., 1903	80	29 Sept.
Nasal-inhaler .. .. .	C. E. Lamont .. ..	18351	19 Aug. .. ..	77	15 Sept.*
Newspaper-binder .. .. .	T. Foster and T. T. Paul .. ..	18206	21 July .. ..	69	18 Aug.*
Newspaper-file .. .. .	A. Divine .. ..	17964	25 May .. ..	66	4 Aug.
Newspaper-file .. .. .	J. Wilson .. ..	18125	4 July .. ..	62	21 July.*
Nib-ejecting device .. .. .	V. Perniskie .. ..	18120	2 July .. ..	66	4 Aug.
Non-freezable tap .. .. .	S. Nicolson .. ..	18144	11 July .. ..	62	21 July.*
Non-freezing tap .. .. .	S. Nicolson .. ..	18196	19 July .. ..	69	18 Aug.*
Nose-bag .. .. .	P. McIlvride .. ..	18455	15 Sept. .. ..	80	29 Sept.*
Noxious weeds, Destroying .. .. .	B. Gray .. ..	18319	13 Aug. .. ..	74	1 Sept.*
Nut-wrench .. .. .	J. Adams .. ..	18084	22 June .. ..	66	4 Aug.
Oil and hot-air engine .. .. .	T. N. Brocas .. ..	18378	27 Aug. .. ..	77	15 Sept.*
Oil-engine .. .. .	F. J. Mairdonald .. ..	18313	12 Aug. .. ..	74	1 Sept.*
Oil-lamp extinguisher .. .. .	T. W. Butcher and H. S. Rose .. ..	18126	4 July .. ..	62	21 July.*

## ALPHABETICAL LIST OF INVENTIONS—continued.

Invention.	Name.	Application.		Gazette.	
		No.	Date.	No.	Date.
Oil-lamp, Utilising waste-heat from ..	J. Watt .. ..	18221	27 July ..	69	18 Aug.*
Oil, Treating shale- .. ..	A. Adiassewich .. ..	17695	22 March ..	59	7 July.
Oiling pulleys on moving shaft.. ..	E. H. Nankivell .. ..	17335	3 Dec., 1903	80	29 Sept.
Oils, Refining- .. ..	T. Macalpine .. ..	18233	28 July ..	69	18 Aug.*
Opener. (See Envelope-opener, Lid-opener.)					
Ore-feeder, Lever-gripper for .. ..	C. F. Strauss .. ..	18131	7 July ..	66	4 Aug.
Ore-feeder, Ratchet for .. ..	T. French .. ..	18365	25 Aug. ..	80	29 Sept.*
Ore-loading Machine .. ..	T. M. Park .. ..	18323	17 Aug. ..	80	29 Sept.
Ore, Treating ferruginous .. ..	M. Moore and T. J. Heskett .. ..	17425	30 Dec., 1903	77	15 Sept.
Ores, Extracting gold from .. ..	O. L. Olden and P. V. Barnard .. ..	17810	21 April ..	74	1 Sept.
Ores, Extracting gold from .. ..	Worsey-Hoal Gold Extracting Syndicate, Limited	18225	28 July ..	69	18 Aug.
Ores, Filtering slimes produced in wet treatment of	F. C. Brown .. ..	18349	17 Aug. ..	74	1 Sept.*
Ores, Reducing pulverised iron- .. ..	J. H. A. McPhee .. ..	18490	20 Sept. ..	..	..
Ores, Separating .. ..	A. J. F. de Bavay .. ..	18226	28 July ..	69	18 Aug.*
Ores, Separating .. ..	A. J. F. de Bavay .. ..	18227	28 July ..	69	18 Aug.*
Ores, Separating zinc-blende .. ..	A. J. F. de Bavay .. ..	18228	28 July ..	69	18 Aug.*
Oven, Baker's .. ..	M. Richard and W. Scott .. ..	18531	29 Sept. ..	..	..
Overcoat. (See Riding and driving over- coat.)					
Packeting material in predetermined por- tions	R. Wales .. ..	18244	26 July ..	69	18 Aug.*
Paint .. ..	A. J. Fisher .. ..	18256	1 Aug. ..	80	29 Sept.
Paper-clip .. ..	D. W. Bodle .. ..	18446	14 Sept. ..	80	29 Sept.*
Paper-pulp, Treating fatty wood for pro- duction of	W. Hoskins .. ..	18500	28 Sept. ..	..	..
Paper-wrapper .. ..	E. C. Cachemaille .. ..	18410	6 Sept. ..	..	..
Parasite-killer .. ..	R. Whiley .. ..	18208	25 July ..	69	18 Aug.*
Parcel or package strap .. ..	H. Carter and R. T. Paterson .. ..	17198	30 Oct., 1903	74	1 Sept.
Parchment, Blind made of .. ..	J. W. Tattersfield .. ..	18360	22 Aug. ..	77	15 Sept.
Parlour-game .. ..	I. Williams .. ..	18180	19 July ..	74	1 Sept.*
Partitions for rooms, &c. .. ..	H. Gray and G. A. McLean .. ..	18389	1 Sept. ..	77	15 Sept.*
Pawl and ratchet mechanism .. ..	B. and W. Trehwella .. ..	18436	6 Sept. ..	80	29 Sept.*
Peeler, Potato- .. ..	E. F. B. Kenyon .. ..	18234	28 July ..	69	18 Aug.*
Peg, Clothes- .. ..	C. E. H. Allen .. ..	18374	25 Aug. ..	..	..
Pen, Forcing- .. ..	D. Clark .. ..	18121	1 July ..	66	4 Aug.
Photograph mailing-wrapper .. ..	G. S. Jones .. ..	17847	26 April ..	69	18 Aug.*
Photo-lithography, &c., Half-tone .. ..	A. Stephan and R. Sands .. ..	18333	18 Aug. ..	77	15 Sept.
Piano-insulator .. ..	St. G. T. W. Stewart and W. E. C. T. Miller	18217	22 July ..	69	18 Aug.*
Piggery .. ..	P. J. Devine .. ..	18308	8 Aug. ..	74	1 Sept.*
Pin. (See Hair-pin, Implement-pin.)					
Pins .. ..	F. Dovalosky .. ..	18402	29 Aug. ..	..	..
Pipe-coupling .. ..	H. Duffin .. ..	16897	1 Sept. 1903	62	21 July.
Pipe, Match-striker for .. ..	S. W. Jameson .. ..	18471	20 Sept. ..	83	13 Oct.*
Pipe-moulding machine .. ..	P. Campbell .. ..	18529	27 Sept. ..	..	..
Pipe-wrench .. ..	J. Adams and C. A. Cross .. ..	18530	27 Sept. ..	..	..
Pipes. (See also Drainpipe, Refrigerator- pipes, Sanitary pipes.)					
Pipes, Making union joints in .. ..	J. Christie .. ..	18532	30 Sept. ..	..	..
Piping, Manufacturing sheet-metal .. ..	T. C. Hement .. ..	17388	17 Dec., 1903	80	29 Sept.
Playing-card holder .. ..	P. C. Maxwell, A. A. Peart, and W. L. Wells	18281	3 Aug. ..	69	18 Aug.*
Plough-chains, Hook for .. ..	A. Reid .. ..	18409	6 Sept. ..	77	15 Sept.*
Plough, Cultivator-attachment to Plough. (See Drain-plough, Disc-plough.)	H. S. McCully .. ..	18249	28 July ..	..	..
Polish, Spreading, on floors .. ..	J. Stewart .. ..	18400	5 Sept. ..	77	15 Sept.*
Position-finder for land or sea .. ..	H. S. Clark and R. Logan, jun. .. ..	18174	19 July ..	66	4 Aug.
Post. (See Fencing-post, Gate-post.)					
Postal reply-cards .. ..	W. Goodman .. ..	18270	4 Aug. ..	77	15 Sept.
Postage-stamp affixer .. ..	J. Purkiss .. ..	18358	24 Aug. ..	77	15 Sept.*
Potato-digger .. ..	F. W. Lee .. ..	18184	21 July ..	69	18 Aug.*
Potato-peeler .. ..	E. F. B. Kenyon .. ..	18234	28 July ..	69	18 Aug.*
Potato-planter .. ..	C. Johanson .. ..	18513	27 Sept. ..	83	13 Oct.*
Power from waves, Obtaining .. ..	W. O'Brien, jun. .. ..	18160	15 July ..	69	18 Aug.*
Power-transmitter .. ..	L. Buck .. ..	18327	17 Aug. ..	80	29 Sept.*
Preserving eggs by vapour, Cabinet for .. ..	A. M. McDonald .. ..	18398	3 Sept. ..	80	29 Sept.*
Preserving meat, Process for .. ..	J. Craveri .. ..	18322	17 Aug. ..	..	..
Preserving-tins, Securing covers of .. ..	The Christchurch Meat Company, Limited	18456	16 Sept. ..	..	..
Press .. ..	J. A. Ferguson .. ..	18420	7 Sept. ..	..	..
Press-copying letters .. ..	L. Banks .. ..	18280	5 Aug. ..	74	1 Sept.
Press. (See Cutting-out press, Fertiliser- press, Hay-press.)					
Producer. (See Gas-producer.)					
Producer and water gas .. ..	E. S. Baldwin and H. H. Rayward .. ..	17961	26 May ..	74	1 Sept.*
Propeller .. ..	P. G. Kelly .. ..	18250	28 July ..	69	18 Aug.*
Propeller-blade .. ..	T. Grundy .. ..	18175	16 July ..	66	4 Aug.*
Protector. (See Stove-protector.)					
Pruning-tool, Fruit-tree .. ..	O. T. Madeley .. ..	18477	22 Sept. ..	83	13 Oct.*
Puller. (See Car-puller, Turnip-puller.)					

ALPHABETICAL LIST OF INVENTIONS—continued.

Invention.	Name.	Application.		Gazette.	
		No.	Date.	No.	Date.
Pulley-block, Log-hauling .. .. .	A. W. Collett and C. B. and E. M. Edkins	18148	12 July ..	62	21 July.*
Pulleys and pinions, Oiling .. .. .	E. H. Nankivell .. .. .	17335	3 Dec., 1903	80	29 Sept.
Pulleys, Turning and crowning speed- Pump .. .. .	C. J. Waugh .. .. .	18255	15 Aug. ..	69	18 Aug.*
Pump .. .. .	A. E. and H. G. Bradley .. .. .	18102	30 June ..	66	4 Aug.
Pump or suction dredging-machinery .. .. .	F. Casey and E. W. Hubbard .. .. .	18463	20 Sept. ..	80	29 Sept.*
Pump for pneumatic tires .. .. .	D. Rowe .. .. .	18130	6 July ..	66	4 Aug.
Pump. (See Centrifugal-turbine pump.)					
Pump, Straining-vessel for .. .. .	T. H. Ibbetson .. .. .	18263	3 Aug. ..	74	1 Sept.
Pump, Valve for steam or air .. .. .	J. Tagell .. .. .	17208	5 Nov., 1903	69	18 Aug.
Rabbit-destruction, Apparatus and gas for	T. Ward, G. S. Sanders, and J. E. Ridgway	18509	28 Sept. ..	83	13 Oct.*
Racehorse, Indicator for bridle for .. .. .	T. B. O'Connor .. .. .	18152	14 July ..	66	4 Aug.*
Racehorse plate or shoe .. .. .	J. Hair .. .. .	17140	24 Oct., 1903	77	15 Sept.
Race-starter .. .. .	A. Gray .. .. .	18329	17 Aug. ..	74	1 Sept.*
Racing bridle and bit .. .. .	T. B. O'Connor .. .. .	18246	25 July ..	77	15 Sept.
Rails, Dressing surfaces of .. .. .	M. Woods and T. J. Gilbert .. .. .	18537	30 Sept. ..	..	..
Railway-brake, Applying from either side	F. W. Gasmier .. .. .	18501	28 Sept. ..	..	..
Railway-car brake .. .. .	W. J. Spruson .. .. .	17846	27 April ..	69	18 Aug.
Railway coupling .. .. .	G. T. Bates and P. S. O'Neill .. .. .	18396	2 Sept. ..	77	15 Sept.*
Railway-traffic control system .. .. .	Rowe's Patent Lock and Block, Limited	18274	4 Aug. ..	69	18 Aug.*
Rain-excluder for door .. .. .	F. J. Jones .. .. .	18213	26 July ..	74	1 Sept.
Rain-water, Intercepting and rejecting contaminated	J. S. Gunn .. .. .	18381	31 Aug. ..	77	15 Sept.*
Ranges, &c., Heating .. .. .	F. J. Shelton .. .. .	17308	28 Nov., 1903	77	15 Sept.
Rat-trap .. .. .	I. Edmond .. .. .	18155	14 July ..	66	4 Aug.*
Ratchet-apparatus .. .. .	T. H. Davidson and W. Hitchcock .. .. .	18243	25 July ..	74	1 Sept.*
Ratchet for ore-feeder .. .. .	T. French .. .. .	18365	25 Aug. ..	80	29 Sept.*
Ratchet mechanism, Pawl and .. .. .	B. and W. Trehwella .. .. .	18436	6 Sept. ..	80	29 Sept.*
Reaper-and-binder .. .. .	M. J. Tehan .. .. .	18328	17 Aug. ..	80	29 Sept.
Reaper-and-binder tripping-attachment..	F. Colville .. .. .	18245	26 July ..	69	18 Aug.*
Receipt and cheque form .. .. .	W. Quin .. .. .	18408	6 Sept. ..	80	29 Sept.*
Reclaiming land, Appliance for .. .. .	F. R. Field .. .. .	18312	12 Aug. ..	77	15 Sept.*
Refrigerator-pipes, Cleaning .. .. .	R. S. Watson .. .. .	17313	2 Dec., 1903	74	1 Sept.
Refuse-furnace .. .. .	G. and F. L. Watson .. .. .	18230	28 July ..	74	1 Sept.
Register-grate, Coal-saver and draught- regulator for	J. Hercus and W. McLennan .. .. .	18198	18 July ..	69	18 Aug.
Regulator. (See Draught-regulator, Elec- tric arc-lamp regulator, Gas-burner regu- lator, Voltage-regulator.)					
Reins, Hook for .. .. .	A. Reid .. .. .	18409	6 Sept. ..	77	15 Sept.*
Ridging .. .. .	T. C. Hement .. .. .	18499	26 ept. ..	83	13 Oct.*
Ridging, Forming O.G. spouting and .. .. .	T. Rogers .. .. .	18209	25 July ..	69	18 Aug.
Riding and driving coat or overcoat .. .. .	E. M. Perdriau .. .. .	17161	4 Oct., 1903	69	1 Aug.
Rifle .. .. .	G. H. Cook .. .. .	18161	16 July ..	66	4 Aug.*
Rifle, Adjusting wind-gauge, &c., on .. .. .	G. B. H. Austin .. .. .	18412	6 Sept. ..	83	13 Oct.*
Rifle, Vernier and traversing-bar for .. .. .	G. B. H. Austin .. .. .	18453	15 Sept. ..	..	..
Rifle, Wind-gauge for .. .. .	J. A. Butler and G. S. Stevenson .. .. .	18265	3 Aug. ..	69	18 Aug.*
Rifle-sights, Affixing spirit-level to travers- ing-frame of	G. B. H. Austin .. .. .	18521	29 Sept. ..	..	..
Rings, &c., Manufacturing .. .. .	A. Savary .. .. .	18334	18 Aug. ..	74	1 Sept.*
River and sea groin .. .. .	F. A. Tregelles .. .. .	18240	26 July ..	69	18 Aug.*
River and sea groin, Building .. .. .	F. A. Tregelles .. .. .	18241	26 July ..	69	18 Aug.*
River-beds, Altering .. .. .	F. R. Field .. .. .	18312	12 Aug. ..	77	15 Sept.*
Road-making, Forming water-table in .. .. .	W. E. Hughes .. .. .	17019	24 Sept., 1903	59	7 July.
Road-wheel for vehicle .. .. .	P. and D. Duncan, Limited .. .. .	17257	16 Nov., 1903	80	29 Sept.
Rock-drill, Valve for .. .. .	J. Tagell .. .. .	17208	5 Nov., 1903	69	18 Aug.
Rocking cradles automatically .. .. .	F. Soper .. .. .	18164	16 July ..	69	18 Aug.*
Roofs, Weather-filling for corrugated-iron	J. G. L. Hewitt .. .. .	17017	19 Sept., 1903	66	4 Aug.
Rooms, Partition for .. .. .	H. Gray and G. A. McLean .. .. .	18389	1 Sept. ..	77	15 Sept.*
Rotary-engine .. .. .	T. W. May .. .. .	18191	19 July ..	69	18 Aug.*
Rotary-engine .. .. .	A. J. Park .. .. .	18294	6 Aug. ..	74	1 Sept.*
Rotary-scraper on agricultural imple- ments, Mounting for	A. E. Watson .. .. .	17216	6 Nov., 1903	69	18 Aug.
Rowels to spurs, Securing .. .. .	W. H. Connelly .. .. .	18384	31 Aug. ..	77	15 Sept.*
Rowing-boat, Sliding-seat for .. .. .	H. H. Bach .. .. .	18149	12 July ..	62	21 July.*
Rowlock .. .. .	J. A. Jaggars .. .. .	17253	17 Nov., 1903	74	1 Sept.
Rubber heels, soles, and tips .. .. .	E. C. Perdriau .. .. .	18364	25 Aug. ..	77	15 Sept.*
Saddle .. .. .	J. H. Love .. .. .	18286	3 Aug. ..	69	18 Aug.*
Saddle. (See Cycle-saddle, Harness-saddle.)					
Saddle-tree, Riding and driving .. .. .	R. A. C. Russell .. .. .	18388	26 March† ..	77	15 Sept.*
Safe-lock .. .. .	J. Shepherd .. .. .	18424	5 Sept. ..	77	15 Sept.*
Sandal .. .. .	S. Smith .. .. .	18157	12 July ..	69	18 Aug.*
Sanitary pipes, Cement for jointing .. .. .	W. Danks .. .. .	18117	5 July ..	66	4 Aug.
Sanitary pipes, Glazing .. .. .	L. Clark .. .. .	17106	13 Oct., 1903	77	15 Sept.
Sash-balance .. .. .	G. M. Scott .. .. .	18310	9 Aug. ..	74	1 Sept.*
Sash-bar for greenhouses, &c. .. .. .	A. P. Westbury and F. Lee .. .. .	18262	3 Aug. ..	69	18 Aug.*
Sash hanger and lock .. .. .	A. Curwood, J. Harrison, and E. A. Cameron	18348	17 Aug. ..	74	1 Sept.*

## ALPHABETICAL LIST OF INVENTIONS—continued.

Invention.	Name.	Application.		Gazette.	
		No.	Date.	No.	Date.
Sash. (See also Window-sash.)					
Scouring-attachment for bucket-dredge ..	R. Andrew .. .. .	17612	3 March ..	77	15 Sept.
Scraper for brush .. .. .	H. Ward .. .. .	18397	31 Aug. ..	..	..
Scraper. (See Rotary-scraper.)					
Screen. (See Dirt-screen, Fire and hearth screen, Gold-dredge screen, Wire-gauze screen.)					
Scutcher. (See Flax-scutcher.)					
Seal, Cork .. .. .	G. S. Stevenson .. .. .	18534	30 Sept. ..	..	..
Seat for vehicles, &c. .. .. .	H. Leek .. .. .	18285	3 Aug. ..	74	1 Sept.
Seat, Sliding-, for rowing-boat ..	H. H. Bach .. .. .	18149	12 July ..	62	21 July.*
Seat, Vehicle- .. .. .	A. G. Land .. .. .	18465	20 Sept. ..	80	29 Sept.*
Seed-sower .. .. .	J. H. Millar .. .. .	16938	10 Sept., 1903	62	21 July.
Seed-sower .. .. .	P. and D. Duncan, Limited ..	18282	4 Aug. ..	69	18 Aug.*
Seed-sower .. .. .	J. Gray .. .. .	18496	26 Sept. ..	83	13 Oct.*
Separator. (See Centrifugal separator, Cream-separator.)					
Sewing-machine .. .. .	A. Lyell .. .. .	18220	28 July ..	69	18 Aug.*
Sewing-machine, Thread holder and cutter for wax-thread .. .. .	United Shoe Machinery Company	18392	1 Sept. ..	77	15 Sept.*
Shaft-tug .. .. .	W. F. Harwood, and R. F. Way ..	18320	16 Aug. ..	74	1 Sept.*
Shaft-tug .. .. .	J. Theobald .. .. .	18458	17 Sept. ..	80	29 Sept.*
Shale-oil, Treating .. .. .	A. Adiassewich .. .. .	17695	22 March ..	59	7 July.
Shaving-brush .. .. .	G. Koch .. .. .	18478	22 Sept. ..	..	..
Sheet-metal piping, Manufacturing ..	T. C. Hement .. .. .	17388	17 Dec., 1903	80	29 Sept.
Ship .. .. .	S. E. E. Whitney .. .. .	18344	16 Aug. ..	74	1 Sept.*
Ships, Anti-fouling composition for ..	J. B. Hannay .. .. .	18036	15 June ..	62	21 July.
Ships'-boats, Launching .. .. .	W. S. Rigby .. .. .	18153	4 July ..	66	4 Aug.*
Ship's hull, Stopping holes under water in ..	E. Smith .. .. .	17010	18 Sept., 1903	59	7 July.
Shoe. (See Boot or Shoe, Racehorse-shoe.)					
Shrinkable clothing, Drying-frame for ..	T. C. Stewart .. .. .	18171	13 July ..	66	4 Aug.*
Signalling from exchange to totalisator ..	G. H. Wallace and W. H. Lowthen	18210	26 July ..	..	..
Sink-guard, Sanitary .. .. .	E. M. Cuthbert .. .. .	18460	16 Sept. ..	83	13 Oct.*
Siphon, Withdrawing predetermined amount of liquid from ..	E. Taylor .. .. .	18447	15 Sept. ..	80	29 Sept.*
Skins, Measuring out and wringing ..	O. Gemeinhardt .. .. .	18505	28 Sept. ..	..	..
Skins, Solution for removing wool from ..	W. G. Coker .. .. .	18268	1 Sept. ..	77	15 Sept.*
Skylight, Ventilating- .. .. .	H. Ward .. .. .	18284	3 Aug. ..	74	1 Sept.
Slug-destroyer, Electrical .. .. .	G. Foster .. .. .	17307	25 Nov., 1903	74	1 Sept.
Smoke-preventer .. .. .	C. E. E. Smith .. .. .	18189	16 July ..	69	18 Aug.*
Smoke-preventer .. .. .	H. P. Knutzen .. .. .	18190	21 July ..	69	18 Aug.*
Smoke-preventer and fuel-economizer ..	A. L. Applegarth .. .. .	17108	13 Oct., 1903	69	18 Aug.
Soldering ends of tins .. .. .	G. W. Berry .. .. .	18132	7 July ..	66	4 Aug.*
Soles and heels, Elastic attachment for ..	T. Burrell .. .. .	18395	1 Sept. ..	83	13 Oct.
Soles of boots and shoes, Protecting ..	W. S. D. Schmidt .. .. .	18494	22 Sept. ..	83	13 Oct.*
Solid matter from liquid, Separating ..	M. Torrente .. .. .	18450	15 Sept. ..	80	29 Sept.*
Sound-box of gramophone, Supplying needles to ..	H. M. and A. C. Dennes ..	18438	12 Sept. ..	80	29 Sept.*
Sower. (See Mangold-sower, Seed-sower, Turnip and rape sower.)					
Sowing, Dressing grain prior to ..	R. H. Binney .. .. .	18355	23 Aug. ..	77	15 Sept.*
Spirit-level, Fixing, to traversing frame of rifle-sights ..	G. B. H. Austin .. .. .	18521	29 Sept. ..	..	..
Spouting and ridging, Forming O.G. ..	T. Rogers .. .. .	18209	25 July ..	69	18 Aug.
Spurs .. .. .	W. H. Connelly .. .. .	18385	31 Aug. ..	77	15 Sept.*
Spurs, Securing rowels to .. .. .	W. H. Connelly .. .. .	18384	31 Aug. ..	77	15 Sept.*
Stamp-affixing appliance .. .. .	J. Purkiss .. .. .	18358	24 Aug. ..	77	15 Sept.*
Stamp-affixing machine .. .. .	J. J. McDade .. .. .	18386	1 Sept. ..	83	13 Oct.
Stamp-affixing machine, Coin-controlled ..	R. Wales .. .. .	18170	13 July ..	66	4 Aug.*
Stamp (See Branding or marking stamp, Postage-stamp.)					
Stamping-machine, Coin-freed .. .. .	E. Moss .. .. .	18337	17 Aug. ..	74	1 Sept.*
Stand. (See Bicycle-stand, Boot or Shoe stand, Tripod-stand.)					
Standard. (See Fencing-standard.)					
Station-indicator .. .. .	R. Whiley, jun. .. .. .	18486	23 Sept. ..	83	13 Oct.*
Steam-boiler, Filter for feed-water of ..	F. G. Shury .. .. .	18154	25 May ..	66	4 Aug.
Steam-boiler, Water-gauge for .. .. .	J. Shepherd .. .. .	18425	5 Sept. ..	77	15 Sept.*
Steam-engine, Valve for .. .. .	J. Tagell .. .. .	17208	5 Nov., 1903	69	18 Aug.
Steam-turbine .. .. .	T. Falvey .. .. .	18399	3 Sept. ..	77	15 Sept.*
Stop-cock .. .. .	T. Richie .. .. .	18524	28 Sept. ..	83	13 Oct.*
Stove-protector .. .. .	W. F. Rankin .. .. .	18163	16 July ..	69	18 Aug.*
Stove. (See Gas-stove.)					
Strainer. (See Liquid-strainer, Milk-strainer, Wire-strainer.)					
Straining-vessel for pump .. .. .	T. H. Ibbetson .. .. .	18263	3 Aug. ..	74	1 Sept.
Strap. (See Breeching-strap, Parcel or Package strap.)					
Street-paving, Laying wood-blocks for ..	E. Eagar .. .. .	18394	1 Sept. ..	83	13 Oct.
Striker for pipe .. .. .	S. W. Jameson .. .. .	18471	20 Sept. ..	83	13 Oct.*
Stripper. (See Flax-stripper.)					
Stud. (See Collar-stud.)					

ALPHABETICAL LIST OF INVENTIONS—continued.

Invention.	Name.	Application.		Gazette.	
		No.	Date.	No.	Date.
Stumps, Cricket- .. .. .	A. Bridge .. .. .	18485	22 Sept. ..	..	..
Sulphurising fruit .. .. .	C. E. Lowe .. .. .	16996	18 Sept., 1903	66	4 Aug.
Sunken vessels, Raising .. .. .	W. Cochrane .. .. .	18277	4 Aug. ..	69	18 Aug.*
Suspender. (See Garment-suspender.)					
Table. (See Billiard-table, Dining and billiard table, Drawing-table.)					
Tail-grip for cattle] .. .. .	J. Robertson .. .. .	16985	11 Sept., 1903	59	7 July.
Tailings, Recovering gold, &c., from ..	A. Clark and J. Storer ..	18457	14 Sept. ..	80	29 Sept.*
Tap. (See Draw-off tap, Non-freezing tap, Non-freezable tap.)					
Tap, High and low pressure .. .. .	H. S. Woolcott .. .. .	17263	18 Nov., 1903	66	4 Aug.
Tea-pot .. .. .	H. G. Blackie .. .. .	18442	13 Sept. ..	83	13 Oct.*
Temperature-alarm .. .. .	The Leslie Walker Instantaneous Fire Detector and Fire Indicator Company, Limited	18231	28 July ..	74	1 Sept.
Tent .. .. .	J. Stevenson .. .. .	18527	30 Sept. ..	83	13 Oct.*
Therapeutic apparatus .. .. .	A. P. Richmond .. .. .	18214	26 July ..	74	1 Sept.
Thinner. (See Turnip-thinner.)					
Thread holder and cutter for wax-thread sewing-machine	United Shoe Machinery Company	18392	1 Sept. ..	77	15 Sept.*
Tides, Utilising flow of .. .. .	J. Davies .. .. .	18156	14 July ..	66	4 Aug.*
Timber-drying kiln .. .. .	F. J. Jones .. .. .	17285	28 Nov., 1903	74	1 Sept.
Tin canisters, Securing ends of .. .. .	G. W. Berry and J. J. Sneesby ..	18480	22 Sept. ..	83	13 Oct.*
Tin. (See Kerosene-tin, Preserving-tin.)					
Tins, Soldering ends of .. .. .	G. W. Berry .. .. .	18132	7 July ..	66	4 Aug.*
Tip-cart .. .. .	W. F. Harwood and R. F. Way ..	18320	16 Aug. ..	74	1 Sept.*
Tip cart and dray .. .. .	P. and D. Duncan, Limited ..	18124	4 July ..	62	21 July.*
Tipping-wagon .. .. .	A. S. Burgess .. .. .	18437	12 Sept. ..	83	13 Oct.
Tire .. .. .	P. Cody .. .. .	18443	13 Sept. ..	83	13 Oct.*
Tire, Attaching gripper to .. .. .	P. McDonald .. .. .	18193	18 July ..	69	18 Aug.*
Tire, Attaching strips of leather to ..	S. Nicolson .. .. .	18197	19 July ..	69	18 Aug.*
Tire for vehicle-wheel .. .. .	J. Thomson .. .. .	18136	4 July ..	66	4 Aug.*
Tire, Lining for .. .. .	J. J. Daily .. .. .	18336	18 Aug. ..	77	15 Sept.*
Tires, Metal-shield for wearing-part of ..	J. T. Meredith .. .. .	18143	8 July ..	62	21 July.*
Tires, Pump for .. .. .	D. Rowe .. .. .	18130	6 July ..	66	4 Aug.
Toaster, Bread- .. .. .	R. E. Smallbone .. .. .	18254	1 Aug. ..	77	15 Sept.
Tongs. (See Fire-tongs.)					
Tool. (See Coal-cutter tool, Combination-tool, Grubbing and hilling-up tool, Pruning-tool.)					
Torpedo-boat .. .. .	P. H. Shailer .. .. .	18146	8 July ..	62	2 July.*
Torpedo-boat .. .. .	S. E. E. Whitney .. .. .	18344	16 Aug. ..	74	1 Sept.*
Totalisator .. .. .	D. M. Robertson .. .. .	16958	11 Sept., 1903	59	7 July.
Totalisator, Signalling from exchange to ..	G. H. Wallace and W. H. Lowthen	18210	26 July ..	..	..
Traces, Hook for .. .. .	A. Reid .. .. .	18409	6 Sept. ..	77	15 Sept.*
Traces, Clasp for spreaders on .. .. .	J. Holms, jun. .. .. .	18452	12 Sept. ..	80	29 Sept.*
Traffic control system, Railway- .. .. .	Rowe's Patent Lock and Block, Limited	18274	4 Aug. ..	69	18 Aug.*
Train-indicator .. .. .	J. W. Rooney, J. B. Meiklejohn, and C. L. Watt	18172	14 July ..	66	4 Aug.*
Tramway-truck brake .. .. .	P. A. Blyth .. .. .	18219	28 July ..	74	1 Sept.
Trap. (See Animal-trap, Bird-trap, Rat-trap.)					
Tree. (See Fruit-tree, Saddle-tree.)					
Trimming turnips, &c., Appliance for ..	E. G. D. McMaster .. .. .	18339	19 Aug. ..	80	29 Sept.
Tripod-stand for camera .. .. .	A. McLeod .. .. .	18474	22 Sept. ..	83	13 Oct.*
Tripping-attachment for reaper-and-binder	F. Colville .. .. .	18245	26 July ..	69	18 Aug.*
Trough .. .. .	W. J. James .. .. .	17241	16 Nov., 1903	74	1 Sept.
Trough. (See Feed-trough.)					
Truck. (See Hand-truck, Tramway-truck.)					
Trucks, Loading gravel into .. .. .	R. A. Wilson .. .. .	16895	1 Sept., 1903	69	18 Aug.
Tub, and clothes-carrier, Bath .. .. .	W. Stevenson .. .. .	18379	30 Aug. ..	80	29 Sept.
Turbine. (See Centrifugal turbine, Steam turbine.)					
Turnip-puller .. .. .	R. L. Orbell .. .. .	18341	18 Aug. ..	77	15 Sept.*
Turnip, rape, and mangold sower .. .. .	C. Bristow .. .. .	17028	26 Sept., 1903	69	18 Aug.
Turnip-thinner .. .. .	A. Storrie .. .. .	17280	23 Nov., 1903	77	15 Sept.
Turnip-thinner .. .. .	J. Hercus, F. W. Barton, and W. Morton	18215	22 July ..	69	18 Aug.*
Turnip-trimmer .. .. .	E. G. D. McMaster .. .. .	18339	19 Aug. ..	80	29 Sept.
Turpentine, Treating fatty wood for production of	W. Hoskins .. .. .	18500	28 Sept. ..	..	..
Typographic machine .. .. .	E. Waters, jun. .. .. .	17574	25 Feb. ..	62	21 July.
Twist-moulding machine .. .. .	R. Cosslett .. .. .	18433	5 Sept. ..	80	29 Sept.*
Valve for water-cistern .. .. .	R. Garnham .. .. .	18129	6 July ..	62	21 July.*
Valve, Oscillating cylindrical .. .. .	J. Tagell .. .. .	17208	5 Nov., 1903	69	18 Aug.
Vehicle, Adjustable body for two-wheeled	C. E. F. Hall and J. C. R. Price ..	18423	7 Sept. ..	83	13 Oct.
Vehicle brake, Road- .. .. .	F. Mitchell .. .. .	18275	4 Aug. ..	74	1 Sept.*
Vehicle, Cap for wheeled .. .. .	C. Burridge and H. Brown ..	18113	4 July ..	66	4 Aug.*
Vehicle, Construction of bogie for .. .. .	C. E. Bernays .. .. .	18464	20 Sept. ..	..	..

## ALPHABETICAL LIST OF INVENTIONS—continued.

Invention	Name	Application.		Gazette.	
		No.	Date.	No.	Date.
Vehicle, Road wheel for	P. and D. Duncan, Limited	17257	16 Nov., 1903	80	29 Sept.
Vehicle-seat ..	A. G. Land ..	18465	20 Sept. ..	80	29 Sept.*
Vehicle-seat ..	H. Leek ..	18285	3 Aug. ..	74	1 Sept.
Vehicle-wheel ..	C. R. S. J. Hallé ..	18406	6 Sept. ..	83	13 Oct.
Vehicle wheel-spread controller	J. C. Hinton ..	18362	25 Aug. ..	80	29 Sept.
Vehicle-wheel, Tire for	J. Thomson ..	18136	4 July ..	66	4 Aug.*
Vehicle, Wheeled ..	S. G. Whitehouse ..	18429	2 Sept. ..	..	..
Vehicles, Control and propulsion of electrically propelled	J. S. Raworth ..	18376	20 Aug. ..	80	29 Sept.
Vending-machine ..	L. B. Horrocks ..	17303	27 Nov., 1903	80	29 Sept.
Venetian-blind, Lifting and bunching	P. Lanigan ..	18269	1 Aug. ..	69	18 Aug.*
Venetian-blind, Operating	J. D. Leach ..	17122	20 Oct., 1903	69	18 Aug.
Ventilating-window	J. H. Gay ..	17336	3 Dec., 1903	74	1 Sept.
Ventilator ..	N. Randell ..	18314	12 Aug. ..	..	..
Vernier and traversing-bar for rifle	G. B. H. Austin ..	18453	15 Sept. ..	..	..
Vessels, Raising sunken	W. Cochrane ..	18277	4 Aug. ..	69	18 Aug.*
Voltage controller and regulator	J. P. Campbell ..	16865	27 Aug., 1903	59	7 July.
Voltage-controller for electric-generator	Electric and Train Lighting Syndicate, Limited	17953	25 May ..	66	4 Aug.
Wagon ..	J. Davies ..	18484	22 Sept. ..	83	13 Oct.*
Wagon ..	W. J. O'Hara ..	17172	27 Oct., 1903	77	15 Sept.
Wagon, Dumping and spreading	P. and D. Duncan, Limited	18042	14 June ..	80	29 Sept.
Wagon, Tipping-	A. S. Burgess ..	18437	12 Sept. ..	83	13 Oct.
Wall-sections for house-building	E. C. Mahony ..	18361	22 Aug. ..	80	29 Sept.
Walls and building-blocks	J. A. Ferguson ..	18421	7 Sept. ..	..	..
Walls, Building river and sea	F. A. Tregelles ..	18241	26 July ..	69	18 Aug.*
Washboard ..	J. Taylor ..	18430	8 Sept. ..	83	13 Oct.
Washboard ..	A. J. H. Lange ..	18491	22 Sept. ..	83	13 Oct.*
Washboard and rubber	R. B. Taylor and E. Ambrose	18236	28 July ..	69	18 Aug.*
Washing apparatus, Fibre-	R. McEwan ..	18417	7 Sept. ..	77	15 Sept.*
Washing-boiler ..	L. Frame ..	17278	19 Nov., 1903	69	18 Aug.
Washing-boiler ..	A. C. Wolf and A. Mutch ..	17634	8 March ..	66	4 Aug.
Washing-boiler ..	T. Crosland ..	18179	15 July ..	69	18 Aug.*
Washing-boiler cover, &c.	W. Stevenson ..	18379	30 Aug. ..	80	29 Sept.
Washing-machine ..	R. F. Marsh ..	17988	1 June ..	80	29 Sept.*
Water and producer gas	E. S. Baldwin and H. H. Rayward	17961	26 May ..	74	1 Sept.*
Water-cistern, Valve for	R. Garnham ..	18129	6 July ..	62	21 July.*
Water-closet flush ..	R. Paladini ..	18473	22 Sept. ..	83	13 Oct.*
Water-current, Utilising flow of	J. Davies ..	18156	14 July ..	66	4 Aug.*
Water-gauge for steam-boiler	J. Shepherd ..	18425	5 Sept. ..	77	15 Sept.*
Water-table in road-making, Forming	W. E. Hughes ..	17019	24 Sept., 1903	59	7 July.
Waves, Obtaining power from	W. O'Brien, jun. ..	18160	15 July ..	69	18 Aug.*
Weather-filling for corrugated-iron roofs	J. G. L. Hewitt ..	17017	19 Sept., 1903	66	4 Aug.
Weeds. (See Noxious weeds.)					
Welsbach incandescent gas-burner	J. Hickman ..	18119	5 July ..	69	18 Aug.*
Welt-attaching apparatus	United Shoe Machinery Company	18363	25 Aug. ..	80	29 Sept.*
Wheel-jack ..	D. Dunn ..	18061	21 June ..	69	18 Aug.
Wheel. (See Free-wheel, Road-wheel, Vehicle-wheel.)					
Wheeled vehicle, Cap for	C. Burrige and H. Brown ..	18113	4 July ..	66	4 Aug.*
Wheels, Turning and crowning	C. J. Waugh ..	18255	15 Aug. ..	69	18 Aug.*
Wind-gauge for rifles	J. A. Butler and G. S. Stevenson ..	18265	3 Aug. ..	69	18 Aug.*
Wind-gauge on rifle, Adjusting	G. B. H. Austin ..	18412	6 Sept. ..	..	13 Oct.*
Wind-mill ..	J. O'Neil ..	18352	22 Aug. ..	77	15 Sept.*
Window-blind of parchment or paper	J. W. Tattersfield ..	18360	22 Aug. ..	77	15 Sept.
Window-fastener ..	B. O. Nuttall ..	18347	20 Aug. ..	..	..
Window-fastener ..	R. F. Way ..	18413	6 Sept. ..	83	13 Oct.*
Window-frame, Hanging and locking sashes in	A. Curwood, J. Harrison, and E. A. Cameron	18348	17 Aug. ..	74	1 Sept.*
Window-sash balance ..	A. G. Jackson ..	18062	16 June ..	66	4 Aug.*
Window-sash holder and suspender	A. S. Coronel ..	18183	21 July ..	69	18 Aug.*
Window-sash lock ..	J. Petrie ..	18115	4 July ..	66	4 Aug.
Window-sash lock and retainer	A. M. Bauckham ..	17217	10 Nov., 1903	77	15 Sept.
Window-sash, Removable	G. E. Humphries ..	18237	28 July ..	77	15 Sept.
Window, Ventilating-	J. H. Gay ..	17336	3 Dec., 1903	74	1 Sept.
Window-stop ..	C. Grimstone ..	18173	19 July ..	..	..
Wire cutter, twister, and winder	J. and T. R. Christie ..	17324	2 Dec., 1903	80	29 Sept.
Wire-gauze screen ..	J. M. Sibbit ..	18519	29 Sept. ..	..	..
Wire-mattress, Tightening	B. F. Dunn ..	18150	12 July ..	62	21 July.*
Wire-strainer ..	J. and T. R. Christie ..	17374	12 Dec., 1903	80	29 Sept.
Wire-woven mattress	T. J. A. Hicks and R. F. Way	18454	15 Sept. ..	..	..
Wood-blocks, Laying	E. Eagar ..	18394	1 Sept. ..	83	13 Oct.
Wood, fatty, Treating, for production of paper-pulp	W. Hoskins ..	18500	28 Sept. ..	83	13 Oct.*
Wool from skins, Solution for removing	W. G. Coker ..	18268	1 Sept. ..	77	15 Sept.*
Wrapper ..	D. Robertson ..	18518	24 Sept. ..	83	13 Oct.*
Wrapper. (See also Mailing-wrapper, Paper-wrapper.)					
Wrench. (See Nut-wrench, Pipe-wrench.)					
Zinc and lead, Extracting ..	A. H. Imbert ..	18112	30 June ..	66	4 Aug.*
Zinc-blende, Separating, from ores	A. J. F. de Bavay ..	18228	28 July ..	69	18 Aug.*



List of Applicants for Registration of Trade Marks.

ALPHABETICAL list of applicants for registration of trade marks for quarter ending 30th September, 1904 (including also applications lodged prior to but gazetted during such quarter).

Name.	Address.	Class.	Application.		Gazette.	
			No.	Date.	No.	Date.
Ainslie and Co., J. . . . .	Leith, Scotland . . . . .	43	4254	24 June, 1903	74	1 Sept.
American Tobacco Company of N.Z., Limited, The	Wellington, N.Z. . . . .	45	4845	3 Aug. . . . .	69	18 Aug.
Andrews and Beaven. (See W. Andrews and A. W. Beaven.)						
Andrews, W., and another	Christchurch, N.Z. . . . .	7	4942	30 Sept. . . . .	83	13 Oct.
Arlidge, A. E. . . . .	Dunedin, N.Z. . . . .	13	4824	21 July . . . . .	66	4 Aug.
Auslebrook and Co. . . . .	Christchurch, N.Z. . . . .	42	4896	2 Sept. . . . .	77	15 Sept.
Australian Eucalyptus Chemical Company	London, England . . . . .	3	4925	20 Sept. . . . .	80	29 Sept.
Barclay, A. G. and another. . . . .	New York, U.S.A. . . . .	48	4847	4 Aug. . . . .	83	13 Oct.
Barclay, C. S., and another . . . . .	New York, U.S.A. . . . .	48	4847	4 Aug. . . . .	83	13 Oct.
Barclay, Perkins, and Co., Limited . . . . .	London, England . . . . .	43	4480	14 Dec., 1903	59	7 July.
Barnard, A. W. A. . . . .	Dunedin, N.Z. . . . .	43	4844	2 Aug. . . . .	..	..
Barnard and Sons. . . . .	Dunedin, N.Z. . . . .	42	4817	14 July . . . . .	..	..
Barnard and Sons. (See A. W. A. Barnard.)						
Barr, J. . . . .	Wellington, N.Z. . . . .	50	4749	6 June . . . . .	74	1 Sept.
Bates, W. N. . . . .	Christchurch, N.Z. . . . .	50	4798	1 July . . . . .	62	21 July.
Bates, Sise, and Co. . . . .	Dunedin, N.Z. . . . .	42	4898	1 Sept. . . . .	80	29 Sept.
Beale and Co., W. J. (See G. A. Creeth and Co.)						
Beattie, Lang, and Co. . . . .	Wellington, N.Z. . . . .	42	4825, 6	22 July . . . . .	66	4 Aug.
Beaven, A. W., and another . . . . .	Christchurch, N.Z. . . . .	7	4942	30 Sept. . . . .	83	13 Oct.
Behrens, C. . . . .	Havana, Cuba . . . . .	45	4575	18 Feb. . . . .	69	18 Aug.
Benjamin and Co., D . . . . .	Dunedin, N.Z. . . . .	39	4833	27 July . . . . .	69	18 Aug.
Bevan, G. A. . . . .	Auckland, N.Z. . . . .	39	4812	8 July . . . . .	74	1 Sept.
Blackie, H. G. . . . .	Auckland, N.Z. . . . .	42	4911	13 Sept. . . . .	..	..
Blackie, H. G. . . . .	Auckland, N.Z. . . . .	42	4912	13 Sept. . . . .	80	29 Sept.
Bock and Co., P. . . . .	Auckland, N.Z. . . . .	3	4916	15 Sept. . . . .	80	29 Sept.
Bock, J. A. . . . .	Auckland, N.Z. . . . .	3	4937, 8	28 Sept. . . . .	..	..
Bock, J. A. . . . .	Auckland, N.Z. . . . .	3	4939	28 Sept. . . . .	83	13 Oct.
Bonnington, G. . . . .	Christchurch, N.Z. . . . .	50	4880, 1	23 Aug. . . . .	77	15 Sept.
Bonnington, G. . . . .	Christchurch, N.Z. . . . .	3	4882	23 Aug. . . . .	80	29 Sept.
Bourke, M. F. . . . .	Napier, N.Z. . . . .	47	4799, 4800	1 July . . . . .	59	7 July.
Bourke, M. F. . . . .	Clive, N.Z. . . . .	47	4877	22 Aug. . . . .	77	15 Sept.
Brigham, J., and another	Manchester, England . . . . .	3	4720	14 May . . . . .	69	18 Aug.
British Columbia Packers Association.	Vancouver, B.C. . . . .	42	4941	29 Sept. . . . .	..	..
Brooke, C. M. . . . .	Christchurch, N.Z. . . . .	42	4834	27 July . . . . .	66	4 Aug.
Brook and Bros., Limited, J. . . . .	Huddersfield, England . . . . .	23	4900	7 Sept. . . . .	77	15 Sept.
Bryant, R. H. . . . .	Invercargill, N.Z. . . . .	42	4818	14 July . . . . .	66	4 Aug.
Butterworth Bros. . . . .	Dunedin, N.Z. . . . .	38	4927	20 Sept. . . . .	..	..
Calorit Konservenerwärmung Ohne Feuer, G.m.b.H.	Berlin, Germany . . . . .	42	4899	6 Sept. . . . .	77	15 Sept.
Carter, H. O. . . . .	Belleknowes, N.Z. . . . .	42	4923	16 Sept. . . . .	80	29 Sept.
Caselberg and Co., L. . . . .	Wellington, N.Z. . . . .	45	4895	2 Sept. . . . .	77	15 Sept.
Caselberg and Co., L. . . . .	Wellington, N.Z. . . . .	45	4924	19 Sept. . . . .	80	29 Sept.
Chance Bros. and Co., Limited	West Smethwick, Eng. . . . .	15	4934	28 Sept. . . . .	83	13 Oct.
Chipman, H. S. . . . .	Sydney, N.S.W. . . . .	6	4822	18 July . . . . .	66	4 Aug.
Colonial Oil Company . . . . .	Melbourne, Victoria . . . . .	13	4861	12 Aug. . . . .	..	..
Cotton, F. H. . . . .	Christchurch, N.Z. . . . .	22	4917	14 Sept. . . . .	..	..
Coxon, A. . . . .	Marton, N.Z. . . . .	47	4805	2 July . . . . .	62	21 July.
Coxon, A. . . . .	Marton, N.Z. . . . .	48	4819	15 July . . . . .	62	21 July.
Craig, J. J. . . . .	Auckland, N.Z. . . . .	7	4802	1 July . . . . .	59	7 July.
Crease, H. E. . . . .	Karangahake, N.Z. . . . .	3	4814	14 July . . . . .	74	1 Sept.
Creeth, G. A. . . . .	Auckland, N.Z. . . . .	6	4889	30 Aug. . . . .	77	15 Sept.
Creeth and Co., G. A. . . . .	Auckland, N.Z. . . . .	6	4883	25 Aug. . . . .	80	29 Sept.
Crosby, F. . . . .	Auckland, N.Z. . . . .	50	4862	12 Aug. . . . .	69	18 Aug.
Dewar and Sons, Limited, J. . . . .	Perth, Scotland, and Sydney, N.S.W.	43	4856	9 Aug. . . . .	83	13 Oct.
Dickinson, C. . . . .	Dunedin, N.Z. . . . .	45	4887	29 Aug. . . . .	..	..
Dimock and Co., Limited, W. . . . .	Wellington, N.Z. . . . .	42	4930	22 Sept. . . . .	80	29 Sept.
Dudgeon and Arnell Proprietary, Limited	Melbourne, Victoria . . . . .	45	4915	15 Sept. . . . .	80	29 Sept.
Federal Cycle Company. (See W. Isdale.)						
Fleming, Birkby, and Goodall, Limited	Halifax, England . . . . .	25	4872	17 Aug. . . . .	74	1 Sept.
Gibson, W. A. . . . .	Melbourne, Victoria . . . . .	42	4891	1 Sept. . . . .	..	..
Gibson, W. A. . . . .	Melbourne, Victoria . . . . .	42	4892	1 Sept. . . . .	77	15 Sept.
Giesen, W. B., and another . . . . .	Wanganui, N.Z. . . . .	42	4908	12 Sept. . . . .	80	29 Sept.
Goulet and Co., G. . . . .	Reims, France . . . . .	43	4875	18 Aug. . . . .	74	1 Sept.
Hall and Co., Limited, J. . . . .	Christchurch, N.Z. . . . .	42	4801	1 July . . . . .	62	21 July.
Hargreaves and Son, J. . . . .	Liverpool, England . . . . .	47	4940	29 Sept. . . . .	..	..
Hibbert, M., and another . . . . .	Manchester, England . . . . .	3	4720	14 May . . . . .	66	4 Aug.
Hibbert, W. (See J. Brigham and M. Hibbert.)						
Hill, T. C. . . . .	Christchurch, N.Z. . . . .	44	4913	13 Sept. . . . .	83	13 Oct.
Holbrooks Limited . . . . .	Birmingham, England . . . . .	42	4835	28 July . . . . .	..	..

## ALPHABETICAL LIST OF APPLICANTS FOR REGISTRATION OF TRADE MARKS.—continued.

Name.	Address.	Class.	Application.		Gazette.	
			No.	Date.	No.	Date.
Horlick's Food Company .. ..	Racine, U.S.A., and London, England .. ..	42	4593	2 March ..	69	18 Aug.
Horrockses, Crewdson, and Co., Limited	London and Manchester, England .. ..	24, 30	4885, 6	26 Aug. ..	74	1 Sept.
Horrockses, Crewdson, and Co., Limited	London and Manchester, England .. ..	24	4933	26 Sept. ..	..	..
Horton, E. .. ..	Blenheim, N.Z. .. ..	3	4931	22 Sept. ..	83	13 Oct.
Hunt, A. G. S. .. ..	Wellington, N.Z. .. ..	3	4852	9 Aug. ..	77	15 Sept.
Hunt and Co., A. G. S. (See A. G. S. Hunt.)						
Independent Starch Company .. ..	New York, U.S.A. .. ..	..	4873	17 Aug. ..	..	..
Isdale, W. .. ..	Oamaru, N.Z. .. ..	22	4944	30 Sept. ..	83	13 Oct.
Izard, W. A., and another. .. ..	Wanganui, N.Z. .. ..	42	4908	12 Sept. ..	80	29 Sept.
Jeffery and Co., T. B. .. ..	Kenosha, U.S.A. .. ..	22	4846	4 Aug. ..	..	..
Jones and Son, Limited, H. I. .. ..	Wanganui, N.Z. .. ..	39	4926	20 Sept. ..	..	..
Keith Ramsay and Co. .. ..	Dunedin, N.Z. .. ..	47	4897	5 Sept. ..	77	15 Sept.
Kempthorne, Prosser, and Co.'s N.Z. Drug Company, Limited	Wellington, N.Z. .. ..	2, 42, 3	4920, 1, 2	16 Sept. ..	80	29 Sept.
Kennard, E. F. .. ..	Dunedin, N.Z. .. ..	22	4816	14 July ..	69	18 Aug.
King, J. .. ..	Ashurst, N.Z. .. ..	47	4809	5 July ..	59	7 July.
Kirkcaldie and Stains, Limited .. ..	Wellington and Napier, N.Z. .. ..	28	4936	23 Sept. ..	83	13 Oct.
Korth, A. H. .. ..	Wellington, N.Z. .. ..	2	4829	23 July ..	66	4 Aug.
Leach, G. .. ..	Melbourne, Victoria .. ..	7	4837	23 July ..	69	18 Aug.
Leibner, A. .. ..	Melbourne, Victoria .. ..	42	4918	15 Sept. ..	80	29 Sept.
Lennon, F. J. .. ..	Rockhampton, Q. .. ..	3	4928	22 Sept. ..	..	..
Lever Bros., Limited .. ..	Balmain, N.S.W. .. ..	42	4914	15 Sept. ..	..	..
MacEwan and Co., J. B. .. ..	Wellington, N.Z. .. ..	42	4831	25 July ..	69	18 Aug.
Male, W. .. ..	Wellington, N.Z. .. ..	13	4932	24 Sept. ..	83	13 Oct.
Manning Bros. .. ..	Auckland, N.Z. .. ..	3	4853, 4	9 Aug. ..	69	18 Aug.
Marshall's Chemical Company, Limited ..	Dunedin, N.Z. .. ..	42	4810	6 July ..	62	21 July.
Maynard and Co. .. ..	Christchurch, N.Z. .. ..	44	4849	8 Aug. ..	69	18 Aug.
McArthur South Africa, Limited, W. & A.	Sydney, N.S.W. .. ..	42	4935	28 Sept. ..	..	..
Merfield, P. W. .. ..	Kew, Victoria .. ..	50	4858	11 Aug. ..	69	18 Aug.
Murdoch and Co. .. ..	Dunedin, N.Z. .. ..	3	4827	22 July ..	66	4 Aug.
Nachmaschinen Fabrik und Eisengieserei Vormals Seidel and Naumann.	Dresden, Germany .. ..	6	4943	30 Sept. ..	..	..
Nathan and Co., J. .. ..	Wellington, N.Z. .. ..	42	4806	4 July ..	62	21 July.
National Mortgage and Agency Company of New Zealand, Limited	Invercargill, N.Z. .. ..	2	4850	8 Aug. ..	69	18 Aug.
Neill and Co., Limited .. ..	Dunedin, N.Z. .. ..	43	4867	16 Aug. ..	74	1 Sept.
Neuchatel Asphalte Company, Limited, The	Wellington, N.Z. .. ..	50	4874	18 Aug. ..	74	1 Sept.
New Zealand Dairy Association, Limited, The	Auckland, N.Z. .. ..	42	4808	4 July ..	59	7 July.
New Zealand Dairy Association, Limited, The	Auckland, N.Z. .. ..	42	4907	10 Sept. ..	80	29 Sept.
New Zealand Dairy Association, Limited, The	Auckland, N.Z. .. ..	42	4807	4 July ..	..	..
New Zealand Dip and Orchard Spraying Company, The. (See A. C. Wilson.)						
North British Rubber Company, Limited	Edinburgh, Scotland .. ..	38	4828	22 July ..	..	..
Parker, R. W. .. ..	Auckland, N.Z. .. ..	3	4823	21 July ..	66	4 Aug.
Paterson and Co., A. S. .. ..	Wellington, N.Z. .. ..	42	4842, 3	2 Aug. ..	69	18 Aug.
Paterson and Co., A. S. .. ..	Wellington, N.Z. .. ..	42	4879	23 Aug. ..	74	1 Sept.
Paterson and Co., A. S. .. ..	Wellington, N.Z. .. ..	42	4902, 3, 4	10 Sept. ..	77	15 Sept.
Paterson and Co., A. S. .. ..	Wellington, N.Z. .. ..	42	4890	1 Sept. ..	..	..
Paterson and Co., A. S. .. ..	Wellington, N.Z. .. ..	42	4909	12 Sept. ..	80	29 Sept.
Pearks' Stores of Africa, Limited .. ..	Johannesburg, S. Africa .. ..	42	4888	30 Aug. ..	..	..
Pearsall and Co., J. .. ..	London, England .. ..	30	4869, 70	17 Aug. ..	74	1 Sept.
Pearson and Rutter, Limited .. ..	Wellington, N.Z. .. ..	42	4838, 9	30 July ..	69	18 Aug.
Phoenix Company, Limited, The .. ..	Dunedin, N.Z. .. ..	42	4841	1 Aug. ..	69	18 Aug.
Pontnewydd Sheet and Galvanising Company, Limited, The	London, England .. ..	5	4723	18 May ..	77	15 Sept.
Reece and Sons, E. .. ..	Christchurch, N.Z. .. ..	47	4461	2 Dec., 1903	77	15 Sept.
Regal Shoe Company, The .. ..	Boston, U.S.A. .. ..	38	4929	22 Sept. ..	80	29 Sept.
Reynolds and Co., W. E. .. ..	Dunedin, N.Z. .. ..	22	4848	4 Aug. ..	69	18 Aug.
Robertson and Co. .. ..	Auckland, N.Z. .. ..	42	4832	26 July ..	69	18 Aug.
Rodriguez Argiuelles Y. Ca. .. ..	Habana, Cuba .. ..	45	4836	28 July ..	77	15 Sept.
Ross & Glendining, Limited .. ..	Invercargill, N.Z. .. ..	38	4864	12 Aug. ..	69	18 Aug.
Sargood, Son, and Ewen .. ..	New Zealand .. ..	38	4400	2 Oct., 1903	69	18 Aug.
Scouler and Co., W. .. ..	Dunedin, N.Z. .. ..	47	4876	19 Aug. ..	74	1 Sept.
Seidel and Naumann. (See Nachmaschinen Fabrik und Eisengieserei.)						
Sheldon Drug Company .. ..	Sydney, N.S.W. .. ..	3	4795-7	30 June ..	66	4 Aug.

ALPHABETICAL LIST OF APPLICANTS FOR REGISTRATION OF TRADE MARKS—continued.

Name.	Address.	Class.	Application.		Gazette.	
			No.	Date.	No.	Date.
Smith and Smith, Limited .. ..	Dunedin, N.Z. .. ..	1	4910	13 Sept. ..	..	..
Smith and Smith, Limited .. ..	Dunedin, N.Z. .. ..	3	4919	16 Sept. ..	80	29 Sept.
Sociedad Anonima Germinal, The ..	Manila, Philippine Islands ..	45	4860	12 Aug. ..	74	1 Sept.
Sorenson, C. A. .. ..	Dunedin, N.Z. .. ..	3	4894	1 Sept. ..	77	15 Sept.
Sorenson, W. .. ..	Dunedin, N.Z. .. ..	3	4811	7 July ..	62	21 July.
South British Packing Company, The. (See A. S. Paterson and Co.)						
Sterling Remedy Company .. ..	Chicago, U.S.A. .. ..	3	4815	14 July ..	66	4 Aug.
Sutton, W. A. P. .. ..	Gisborne, N.Z. .. ..	2	4855	9 Aug. ..	69	18 Aug.
Svenska Centrifug Aktiebolaget ..	Stockholm, Sweden .. ..	7	4893	1 Sept. ..	77	15 Sept.
Sybry, Searls, and Co., Limited ..	Sheffield, England .. ..	5	4857	11 Aug. ..	69	18 Aug.
Swan, J. G. .. ..	Wanganui, N.Z. .. ..	43	4905	10 Sept. ..	..	..
Swan, J. G. .. ..	Wanganui, N.Z. .. ..	44	4906	10 Sept. ..	..	..
Swan and Co., J. G. (See J. G. Swan.)						
Teed and Co. .. ..	New Plymouth, N.Z. .. ..	39	4790	30 June ..	69	18 Aug.
Thompson and Hills .. ..	Auckland, N.Z. .. ..	42	4878	22 Aug. ..	74	1 Sept.
Thorley, Limited, J. .. ..	London, England .. ..	42	4868	17 Aug. ..	74	1 Sept.
Tompkins and Co., A. H. .. ..	Christchurch, N.Z. .. ..	42, 50	4865, 4866	15 Aug. ..	83	13 Oct.
Trapnell, G. .. ..	Brightwater, N.Z. .. ..	42	4840	1 Aug. ..	69	18 Aug.
Tyree and Co., Limited, A. .. ..	Christchurch, N.Z. .. ..	50	4821	18 July ..	80	29 Sept.
Tyree and Co., A. .. ..	Christchurch, N.Z. .. ..	38	4901	8 Sept. ..	..	..
United Kingdom Tea Company, Limited	London, England .. ..	42	4859	11 Aug. ..	74	1 Sept.
United Manufacturing Company, The ..	Dunedin, N.Z. .. ..	42	4813	11 July ..	66	4 Aug.
Waikiekie Co-operative Dairy Company, Limited, The	Waikiekie, N.Z. .. ..	42	4884	27 Aug. ..	..	..
Walker, Kempson, and Stevens, Limited	Leicester, England .. ..	38	4871	17 Aug. ..	74	1 Sept.
Wallace, J. .. ..	Dunedin, N.Z. .. ..	38	4368	9 Sept., 1903	66	4 Aug.
Warnock Bros. .. ..	Auckland, N.Z. .. ..	47	4803, 4	4 July ..	59	7 July.
Waters, Ritchie, and Co. .. ..	Dunedin, N.Z. .. ..	42	4820	18 July ..	66	4 Aug.
Wiggins, Teape, and Co., Limited ..	London, England .. ..	39	4830	25 July ..	66	4 Aug.
Wiles, H. O. .. ..	Auckland, N.Z. .. ..	1	4793	30 June ..	66	4 Aug.
Williamson, H. B. .. ..	Wanganui, N.Z. .. ..	3	4409	8 Oct., 1903	74	1 Sept.
Wilson, A. C. .. ..	Christchurch, N.Z. .. ..	2	4863	12 Aug. ..	66	4 Aug.
Woodward, J. A. .. ..	Wellington, N.Z. .. ..	3	4851	9 Aug. ..	69	18 Aug.

List of Applicants for Registration of Designs.

**A** LPHABETICAL list of applicants for registration of designs for quarter ending 30th September, 1904.

Name.	Address.	No. of Class.	Application.		Gazette.	
			No.	Date.	No.	Date.
Billing, A. F. and another .. ..	Auckland, N.Z. .. ..	5	217	30 Aug. ..	74	1 Sept.
Boll, P. .. ..	Bendigo, Victoria .. ..	1	212	8 April ..	66	4 Aug.
Brooke, C. M. .. ..	Christchurch, N.Z. .. ..	4	215	8 Aug. ..	69	18 Aug.
Brooke, C. M. .. ..	Christchurch, N.Z. .. ..	4	220	30 Sept. ..	83	13 Oct.
Griffin and Sons, Limited .. ..	Nelson, N.Z. .. ..	12	216	22 Aug. ..	74	1 Sept.
Harding, H. T., and another .. ..	Auckland, N.Z. .. ..	5	217	30 Aug. ..	74	1 Sept.
Harding and Billing. (See A. F. Billing and H. T. Harding.)						
Mahoney, F. J. .. ..	Christchurch, N.Z. .. ..	1	214	1 Aug. ..	66	4 Aug.
O'Sullivan Rubber Company .. ..	Portland, U.S.A. .. ..	3	219	29 Sept. ..	83	13 Oct.
Shelton, F. J. .. ..	Wellington, N.Z. .. ..	1	213	14 July ..	66	4 Aug.
Wilson, T., jun. .. ..	Islington, N.Z. .. ..	3	218	12 Sept. ..	80	29 Sept.

